

FORKLIFT ATTACHMENT

Spike Prime FLL Robot

 **Next Level
Teacher**

FORKLIFT ATTACHMENT

Phase 1



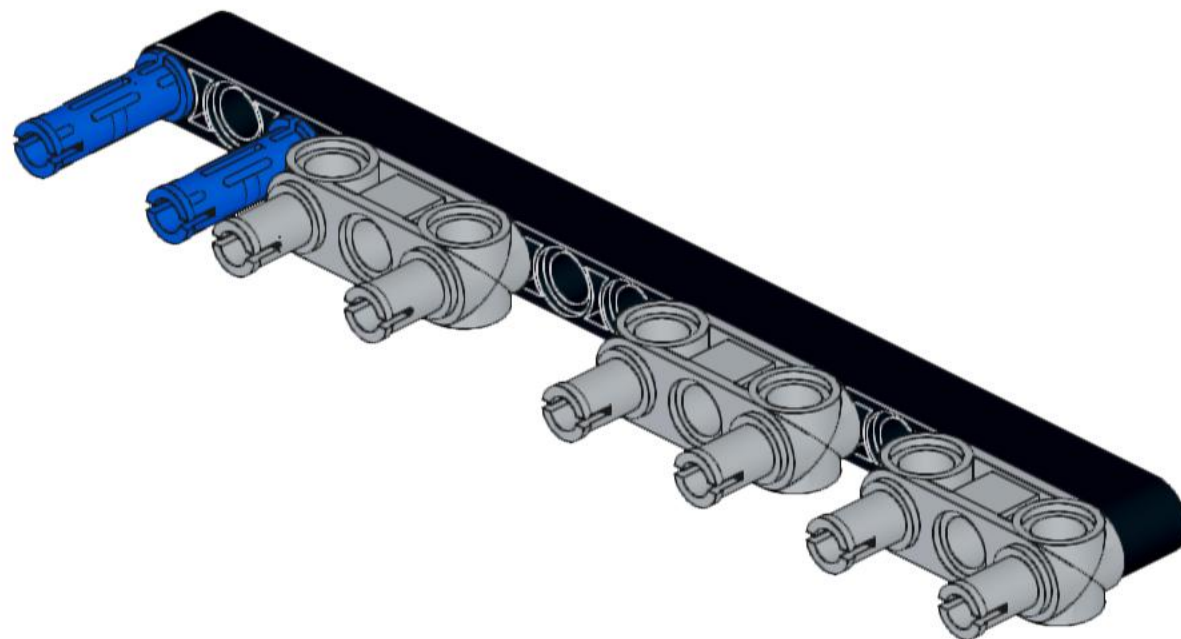
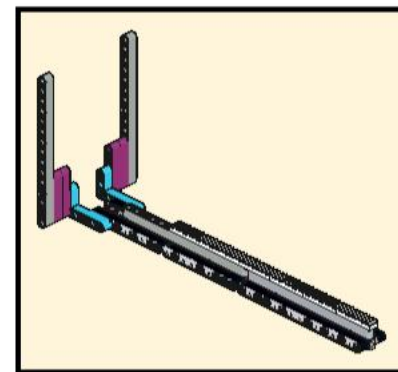
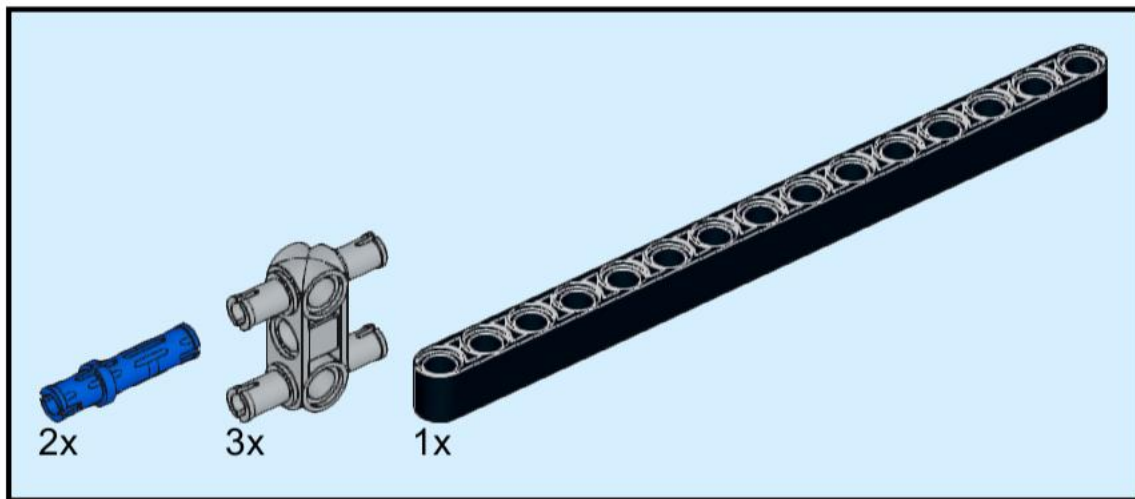
Phase 2



Phase 3

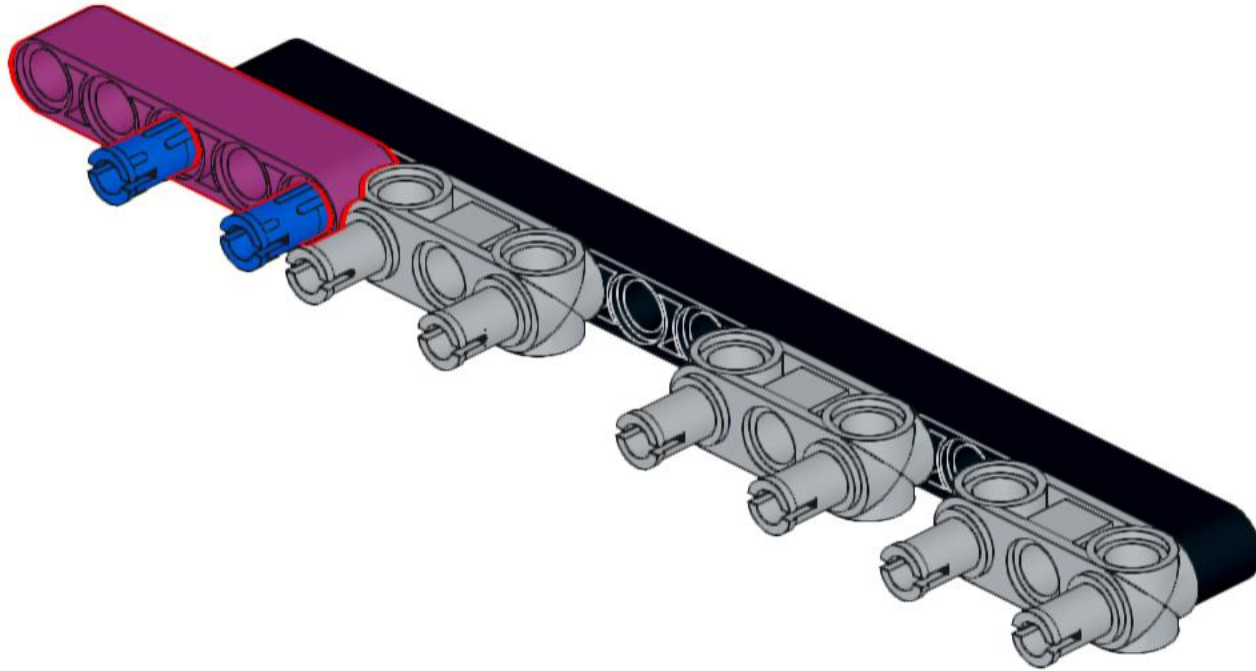
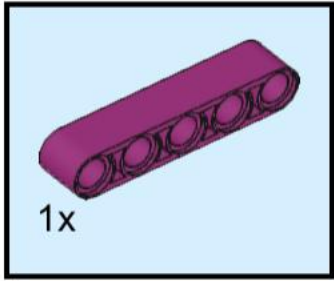


1

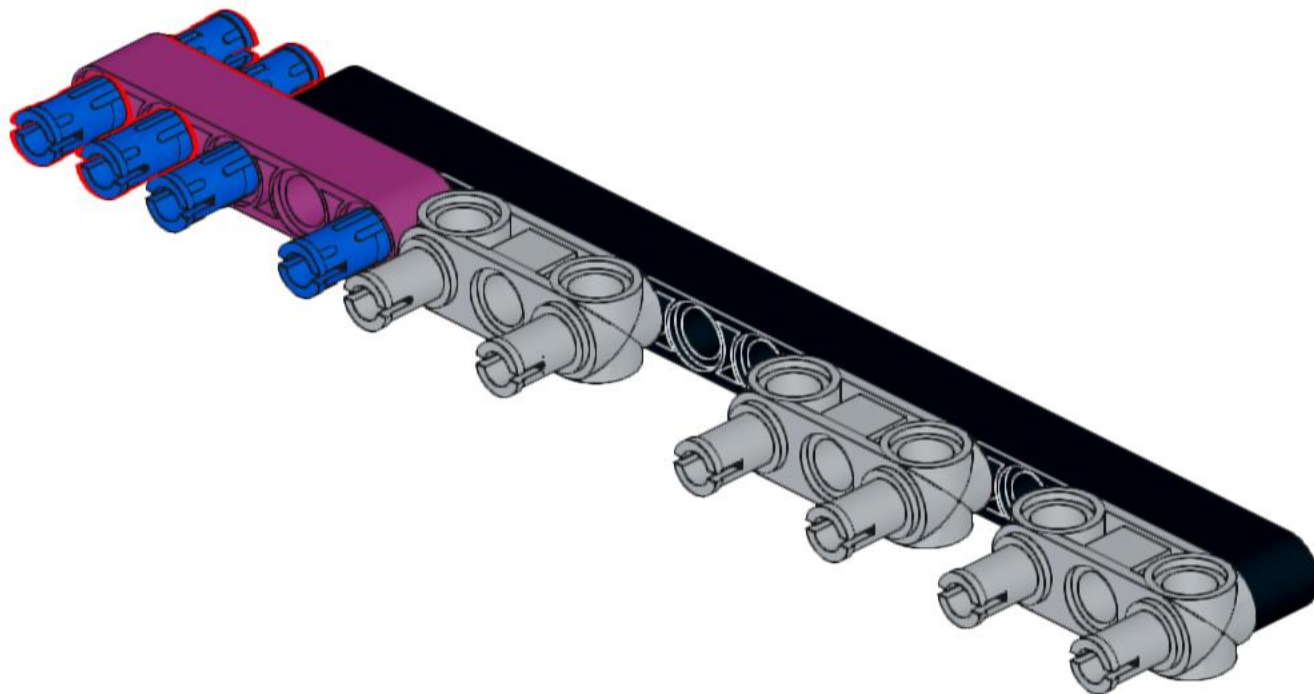
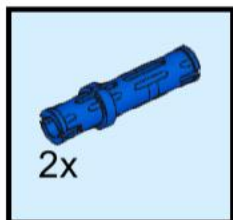


Rack

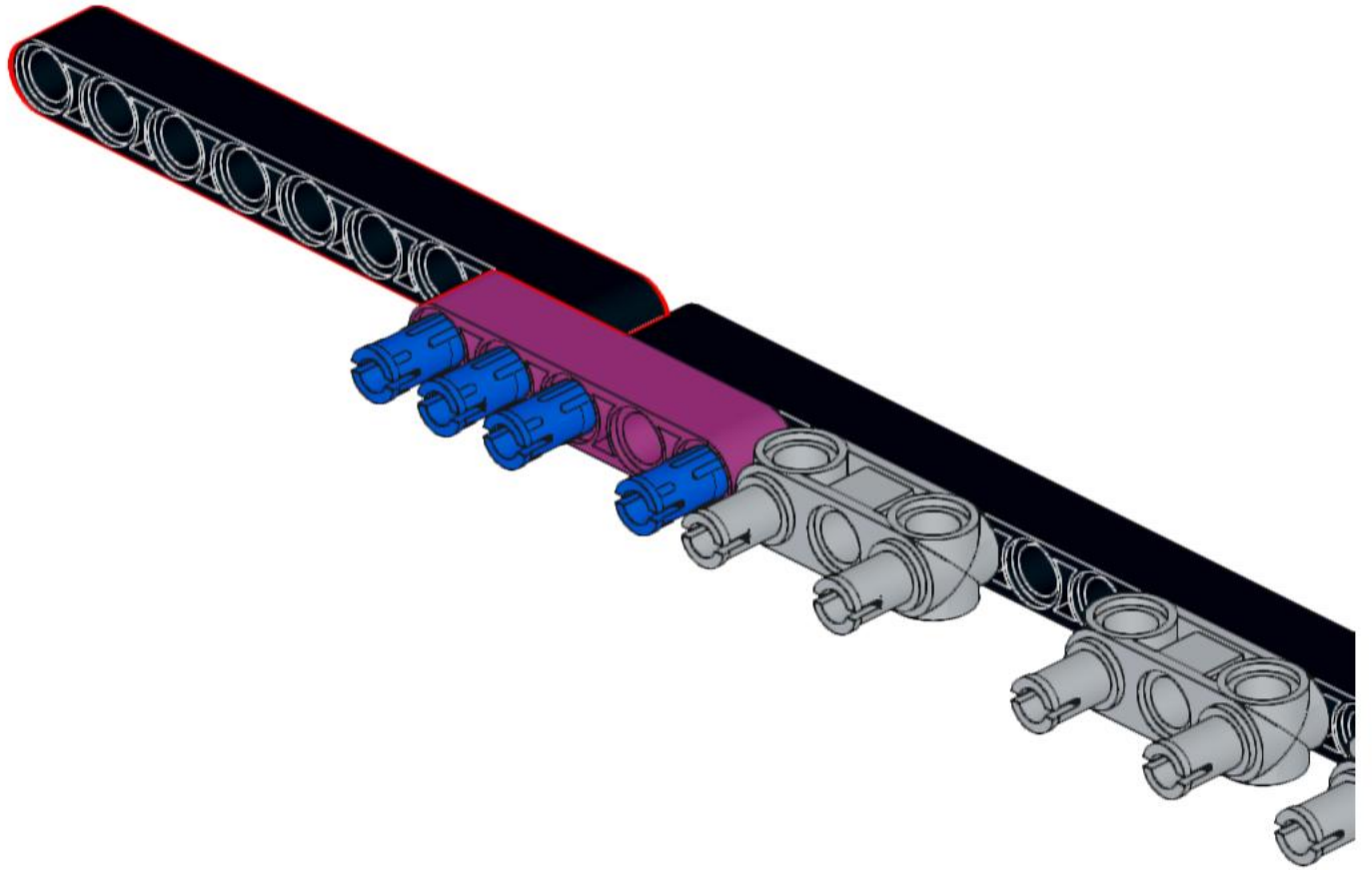
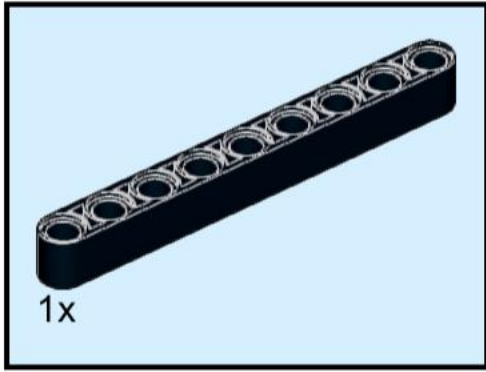
2



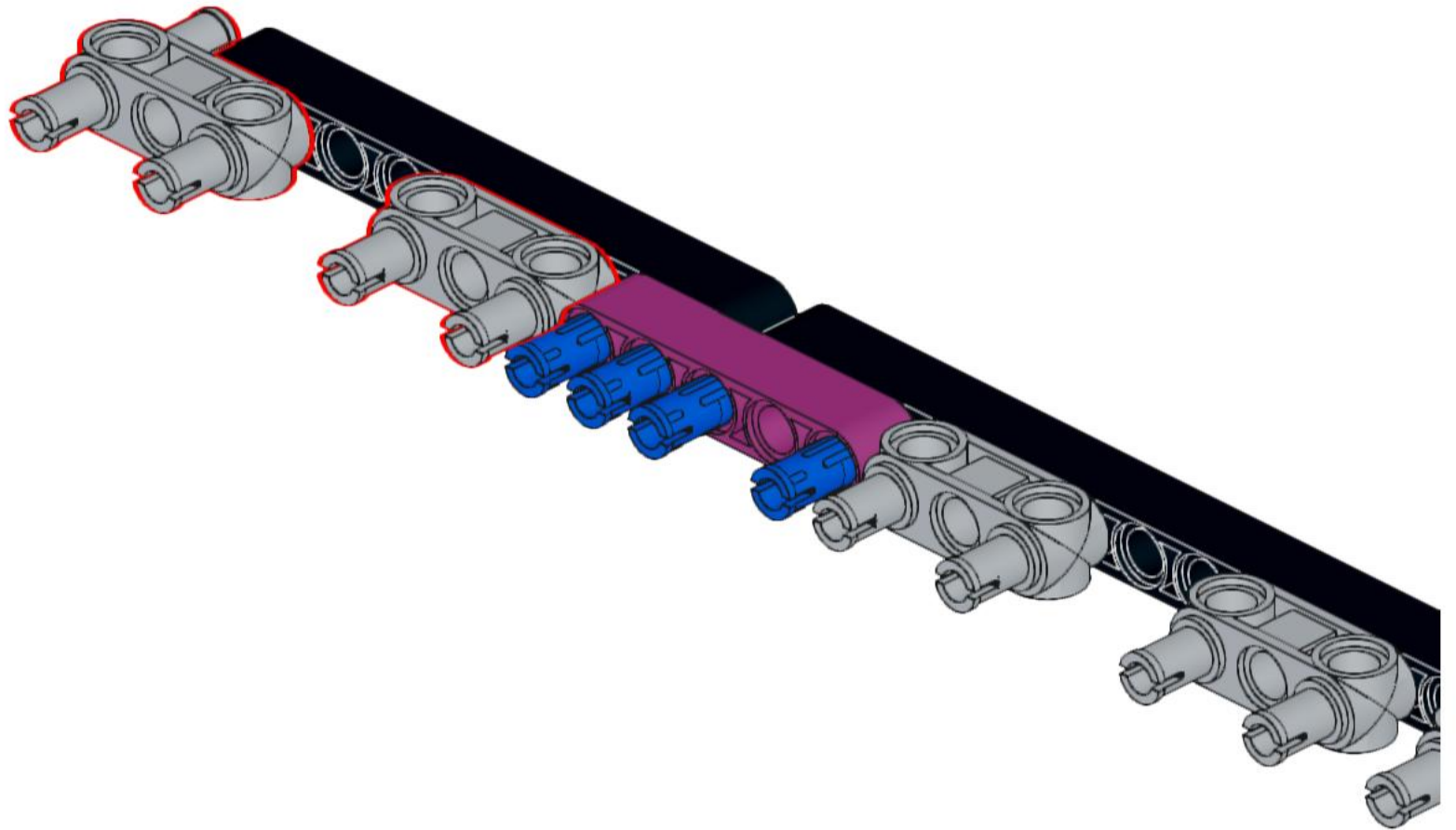
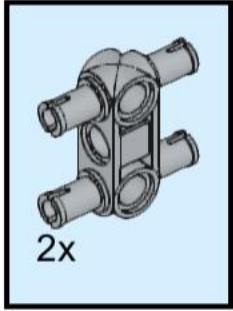
3



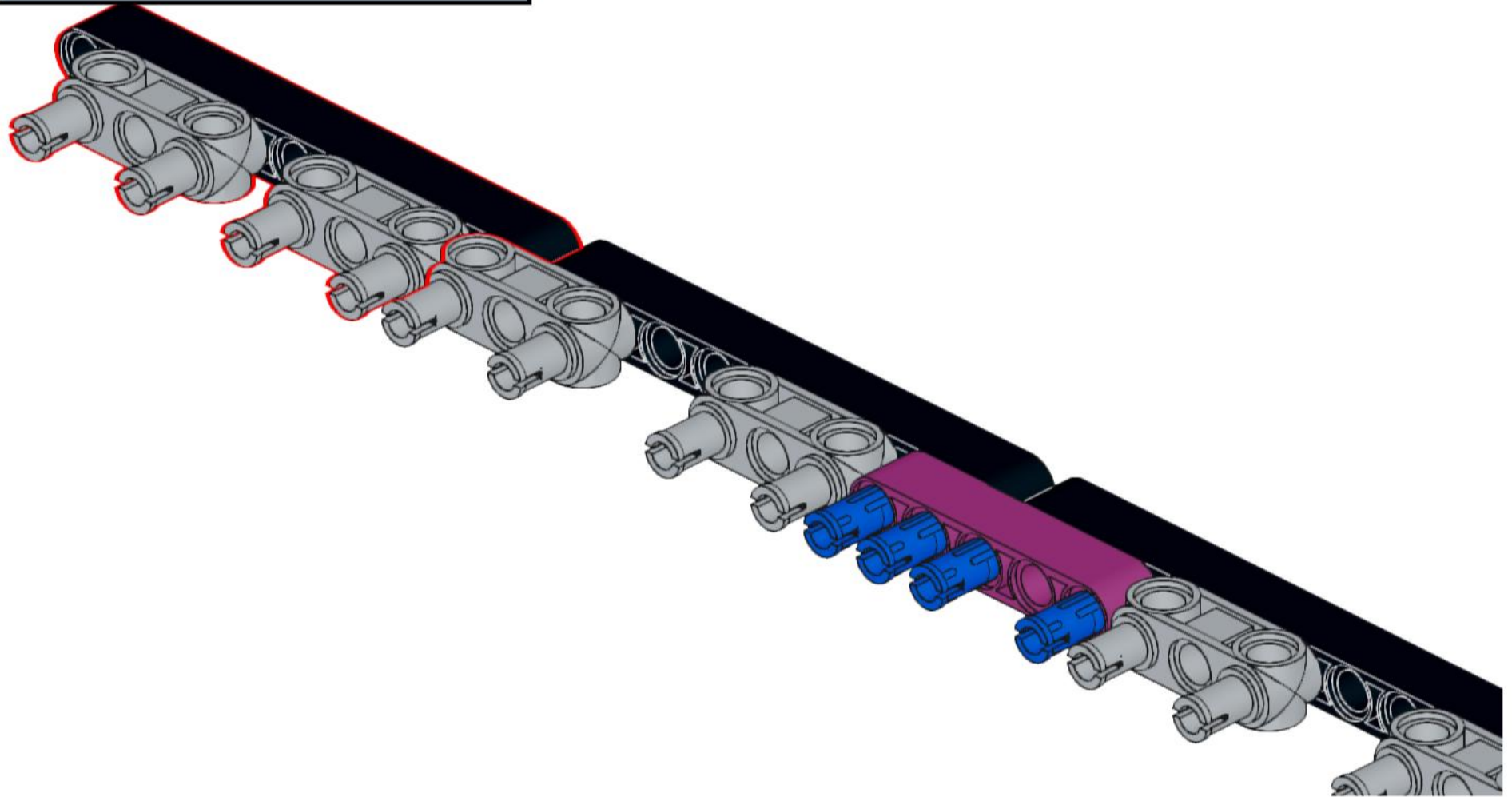
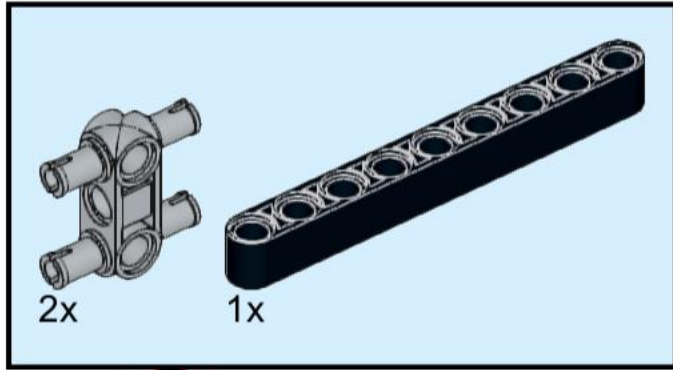
4



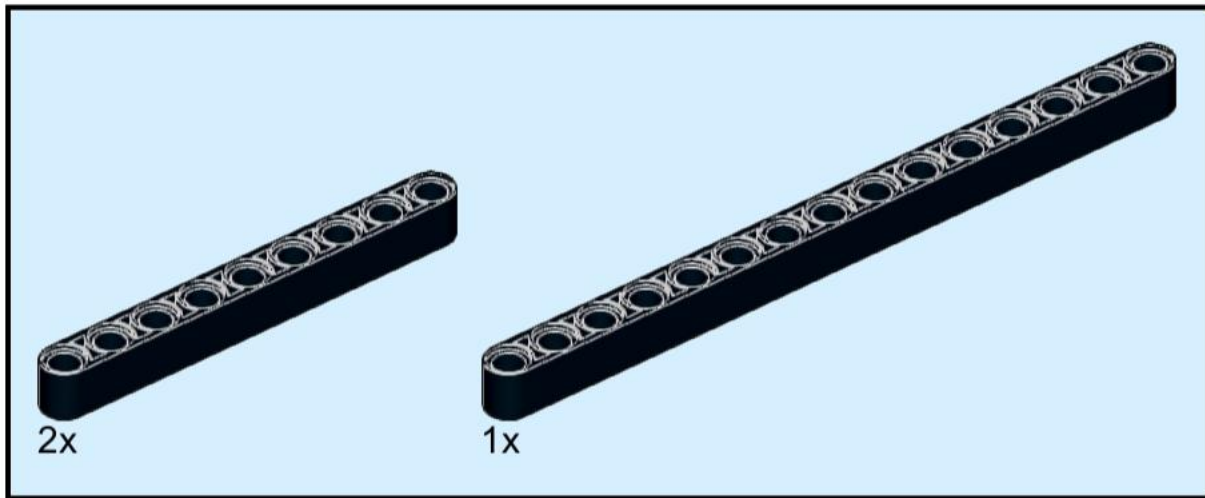
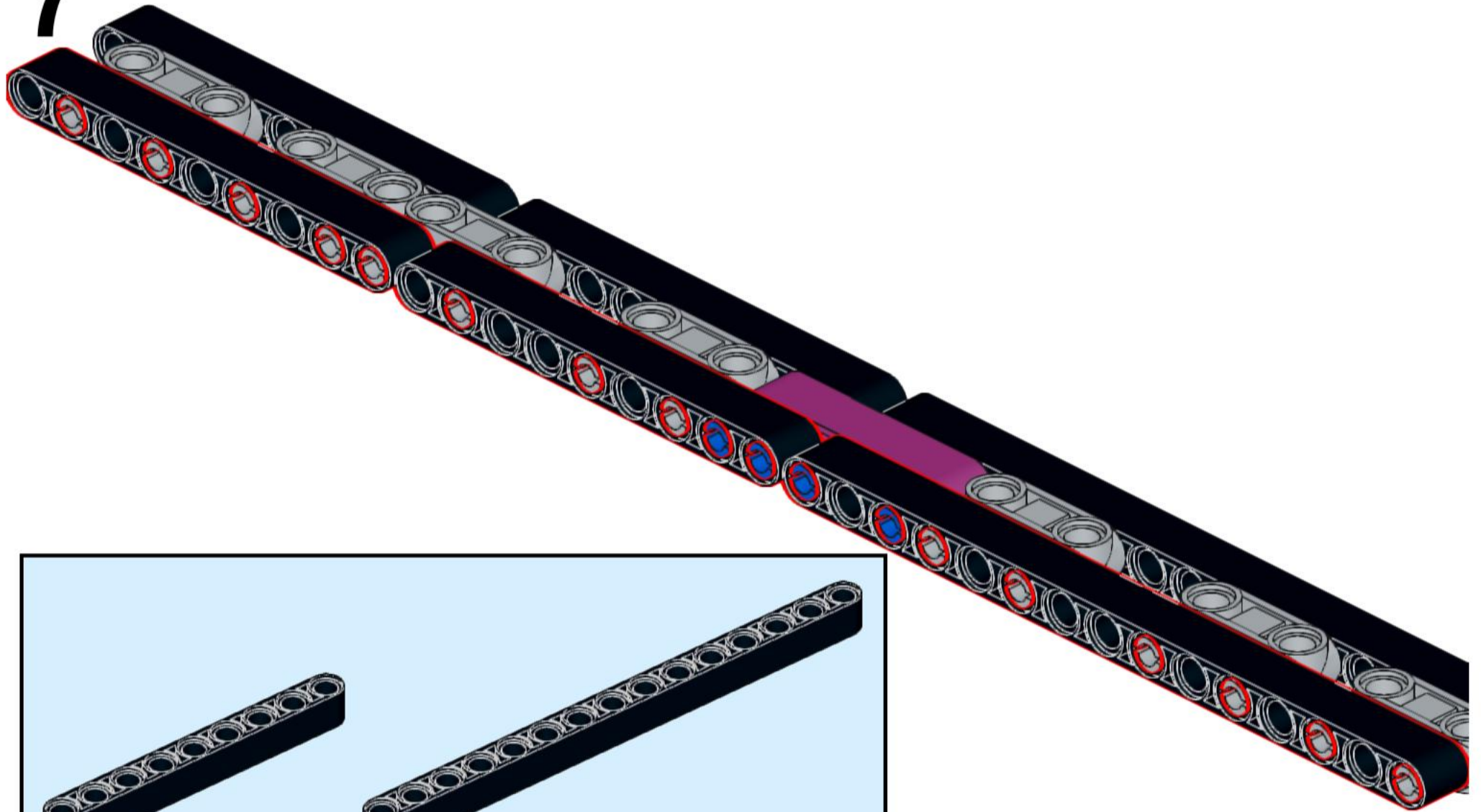
5



6



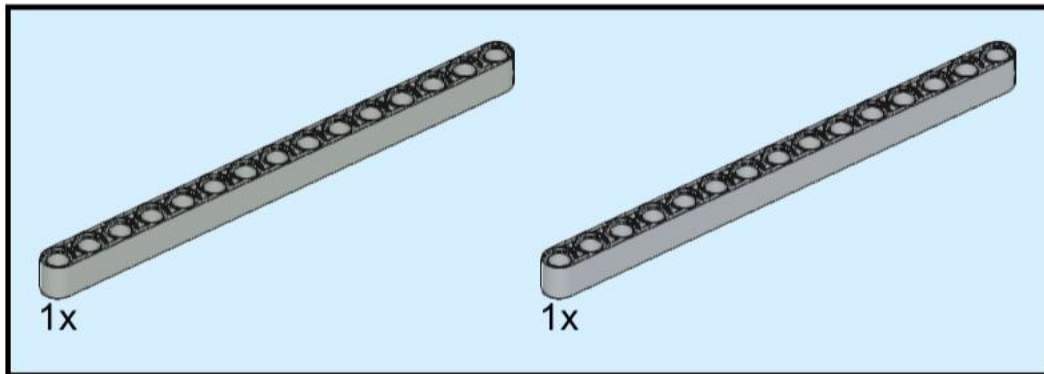
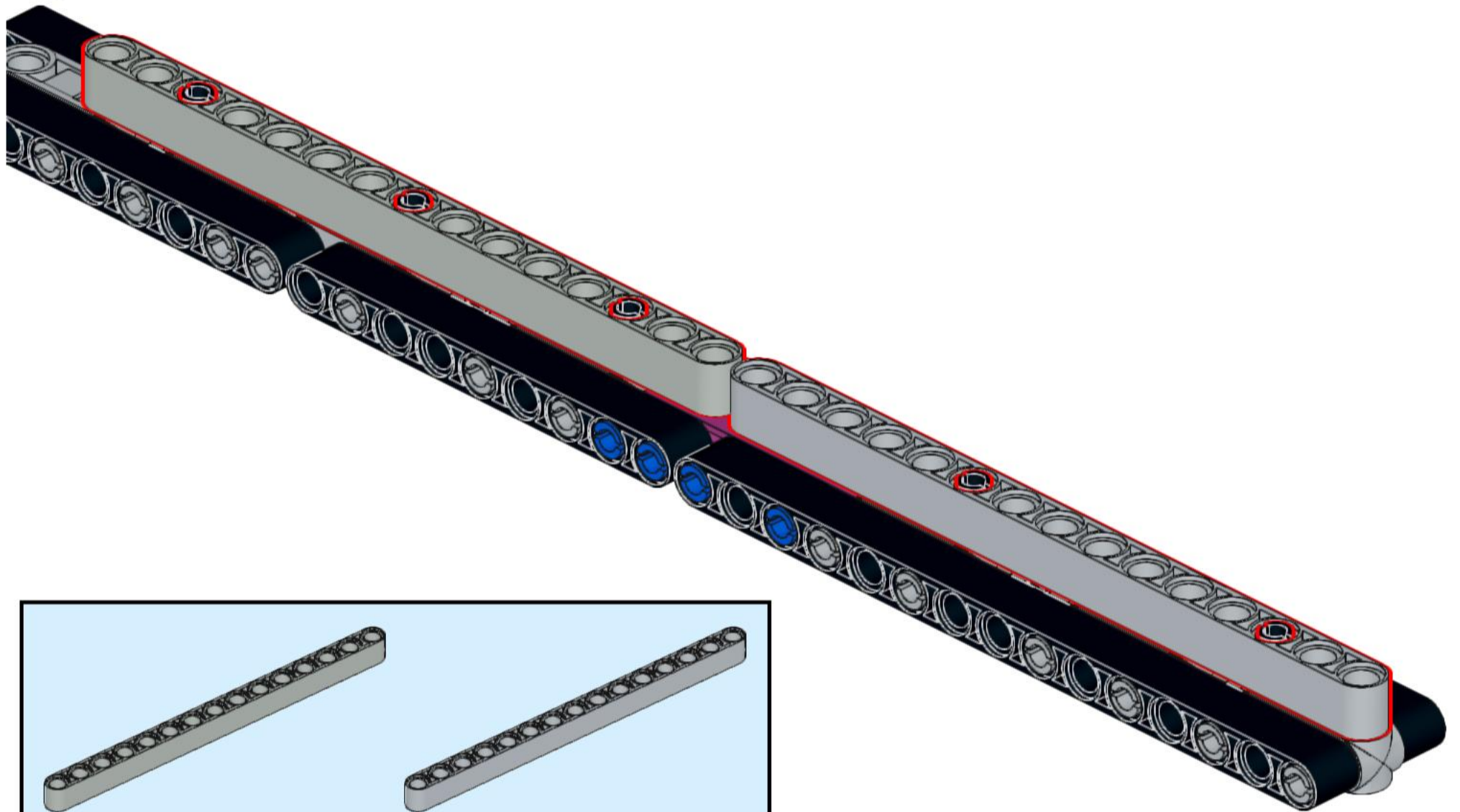
7



8



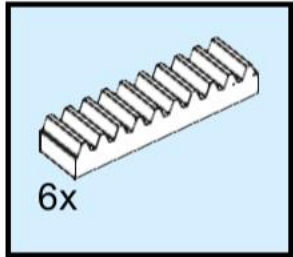
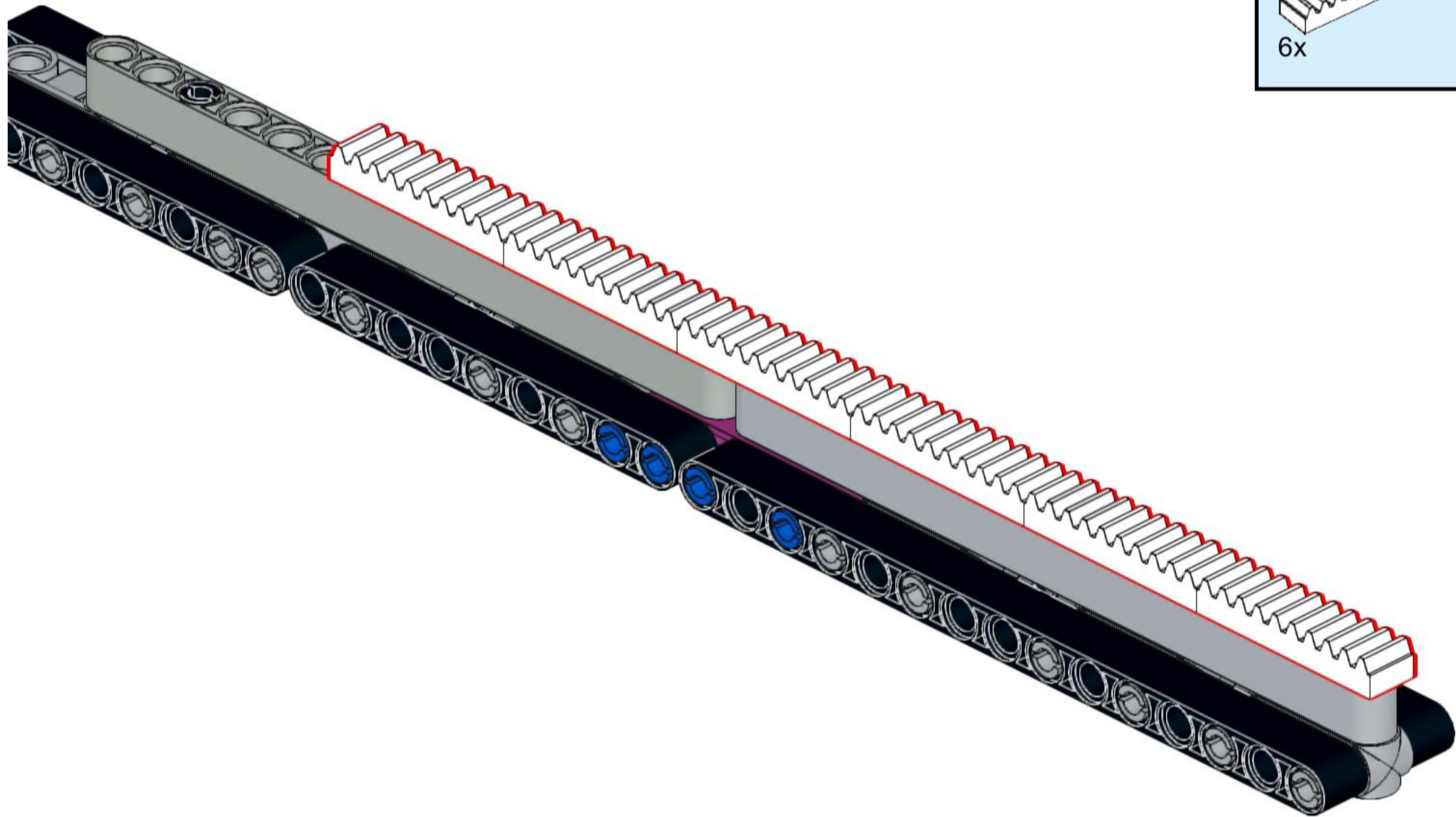
9



10



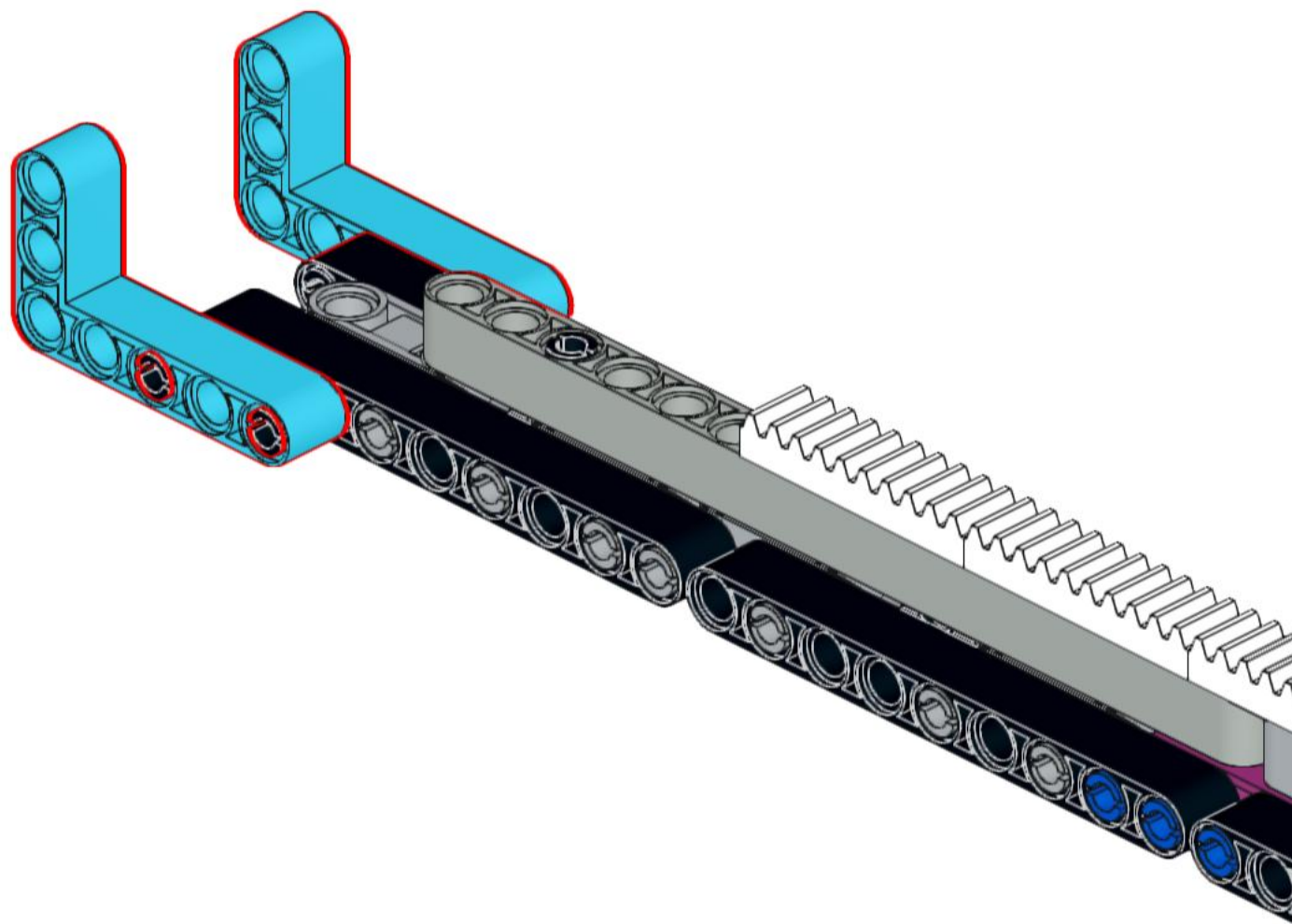
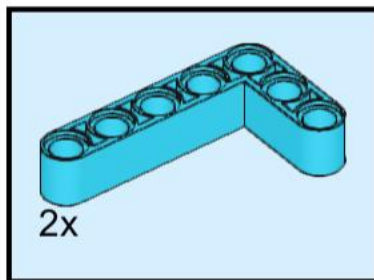
11



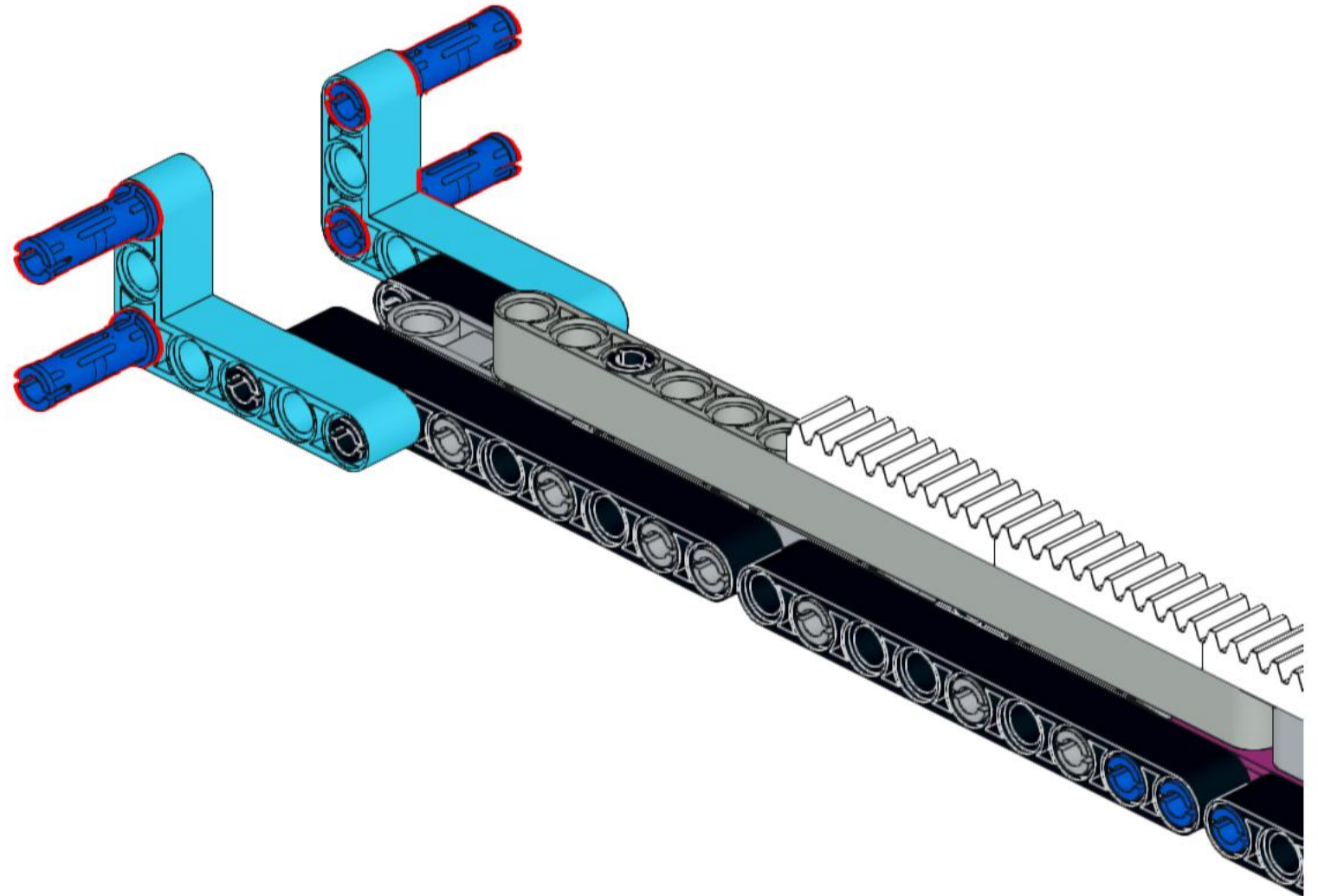
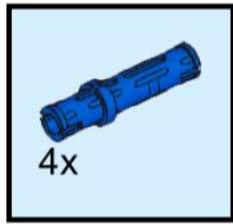
12



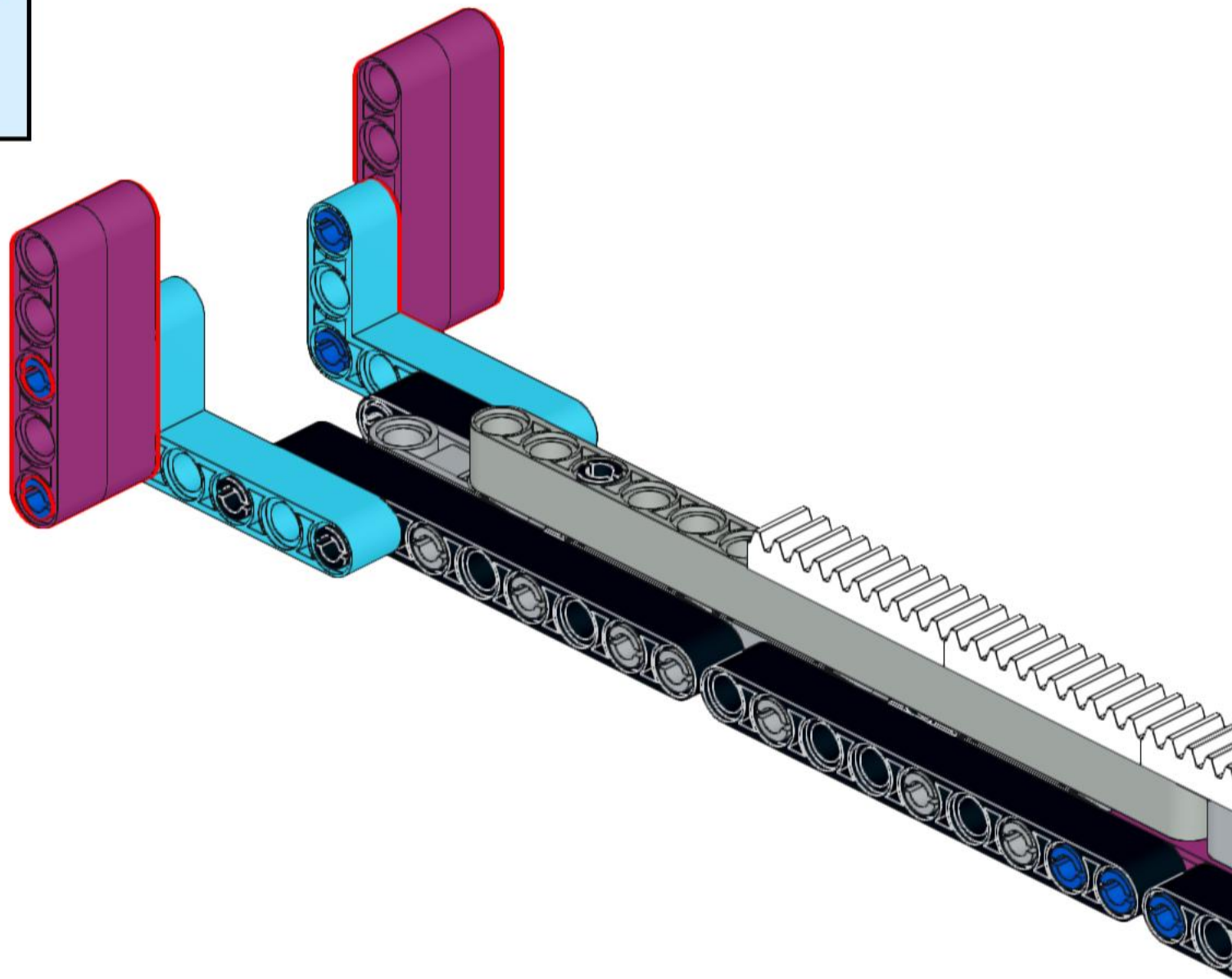
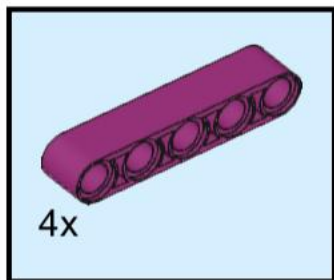
13



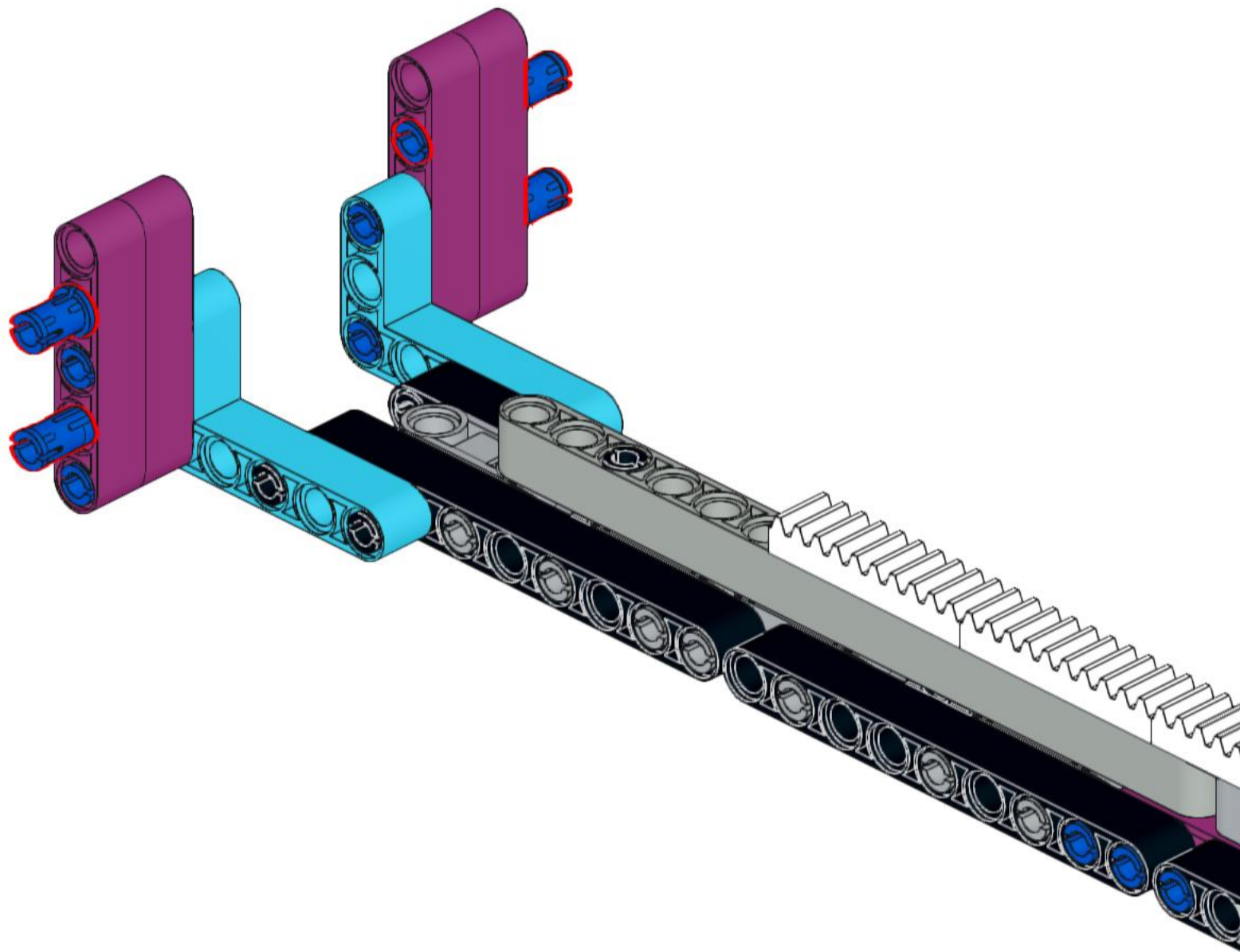
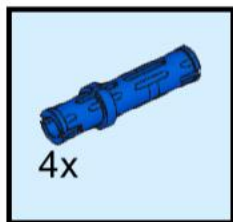
14



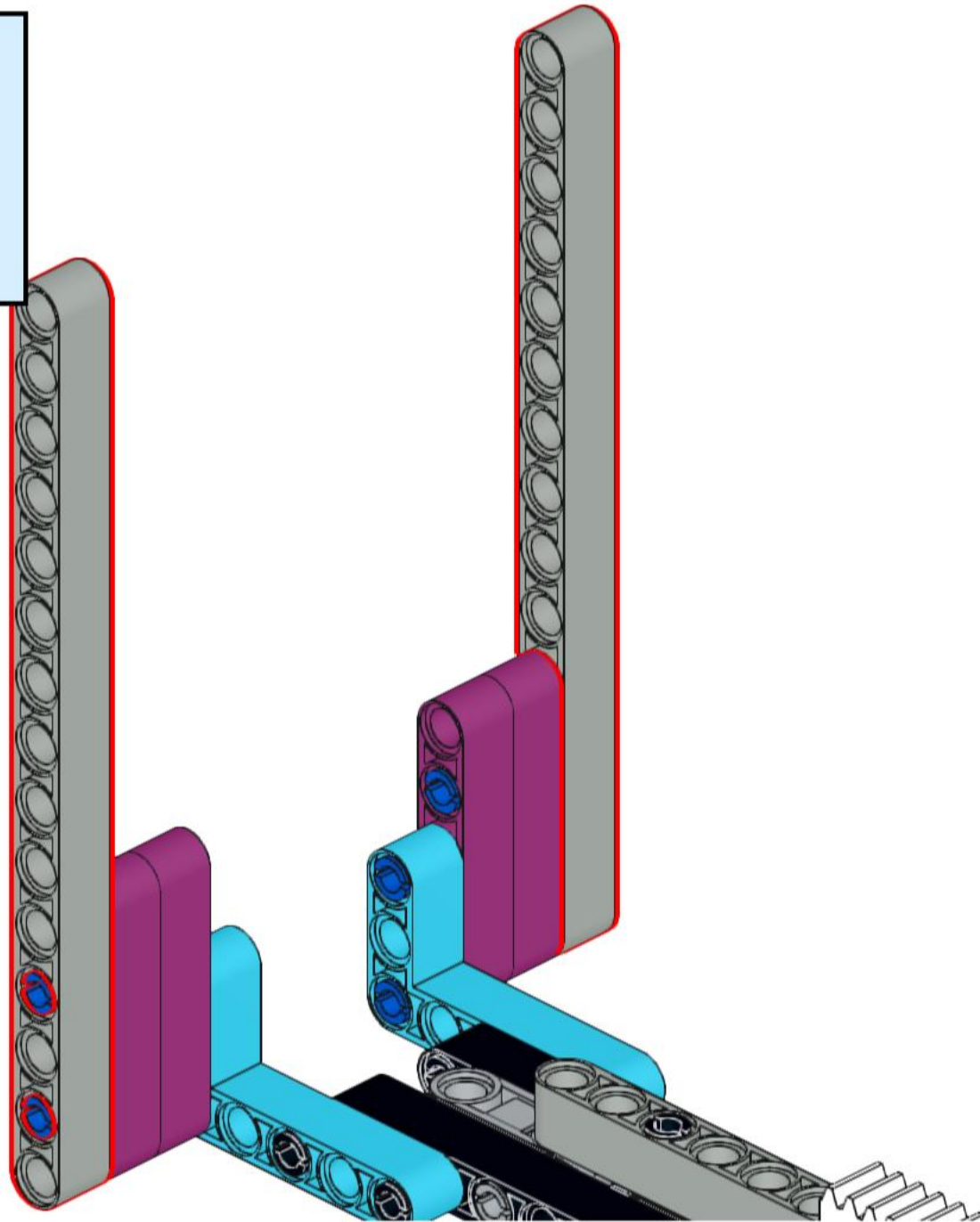
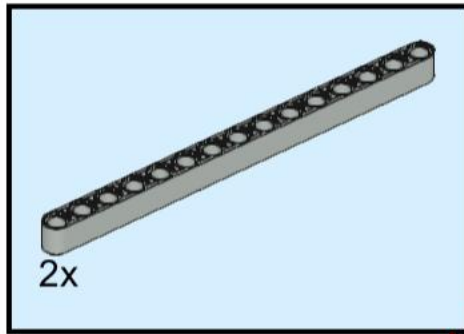
15



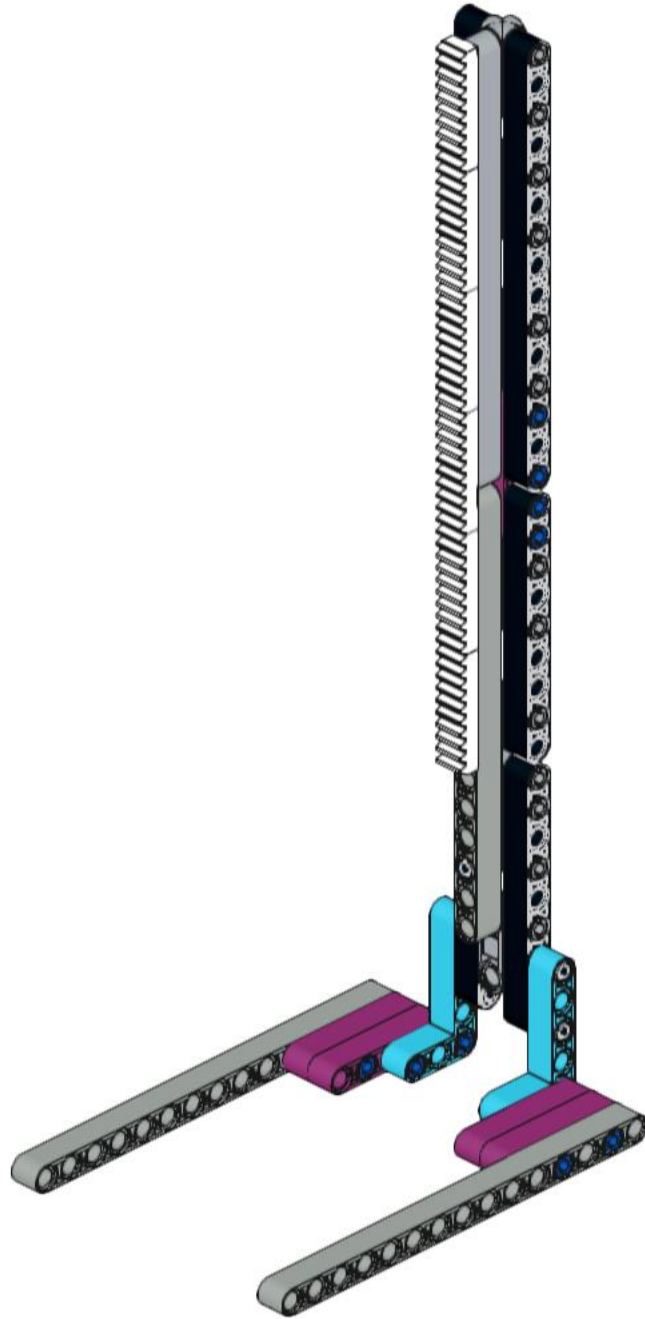
16



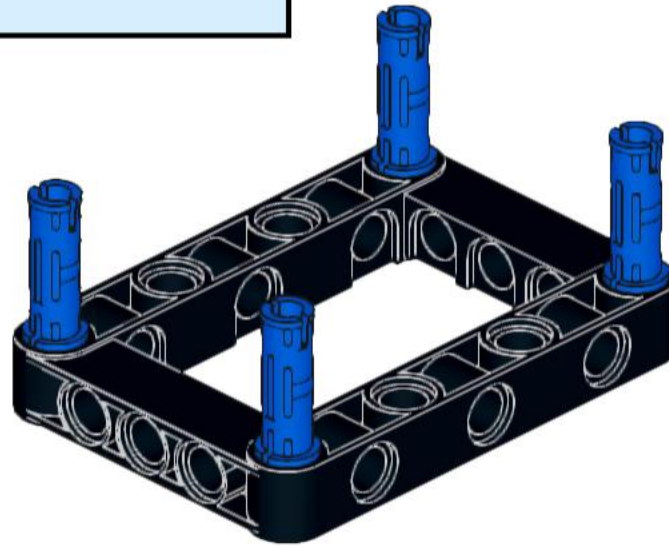
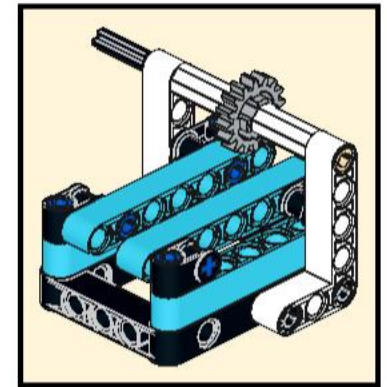
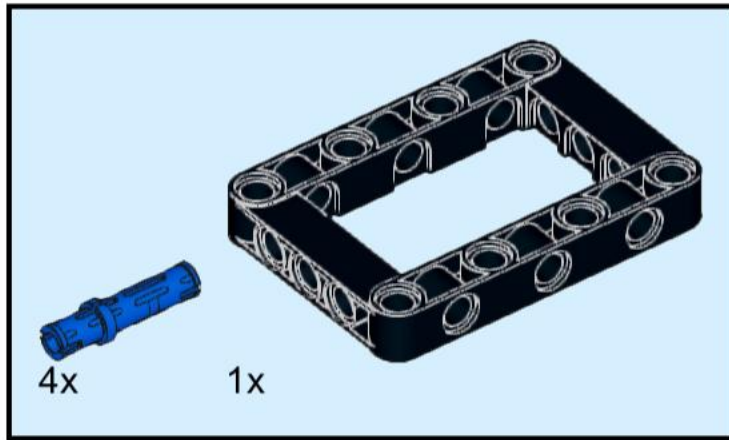
17



18

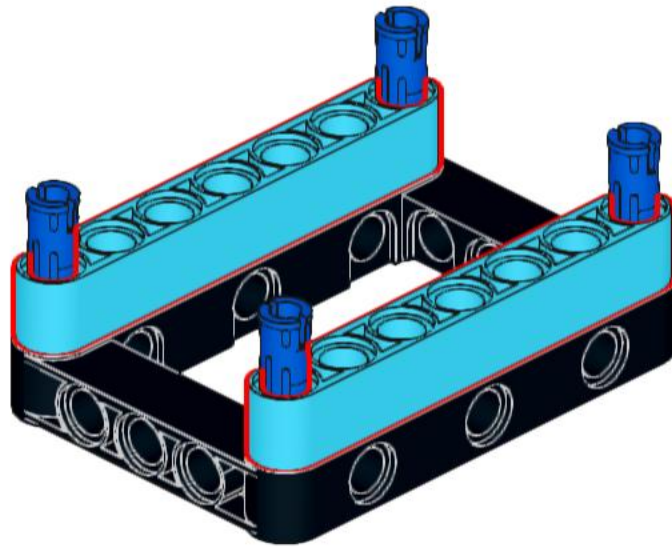
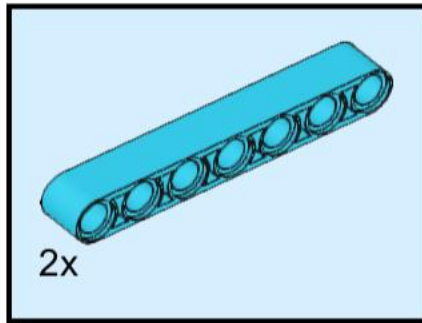


19

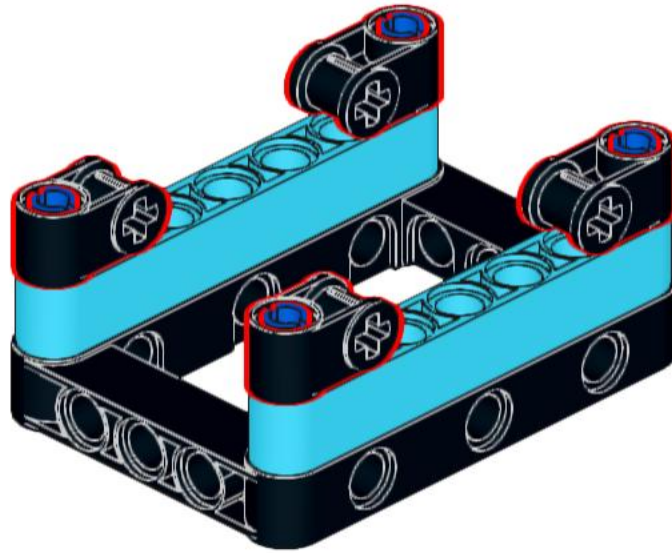


Holder

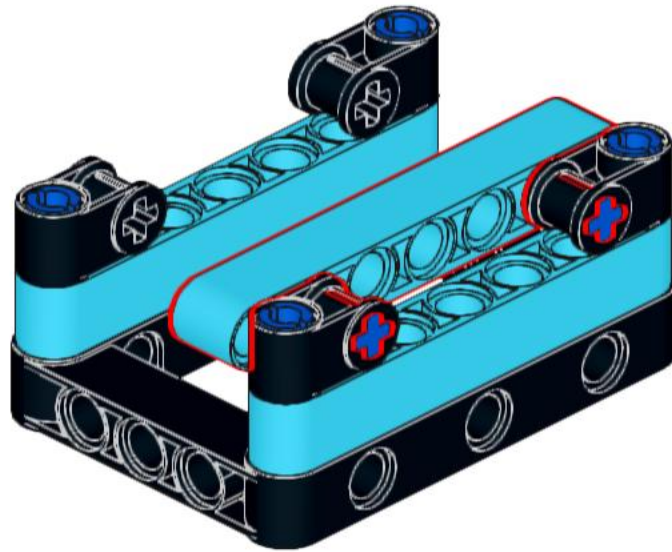
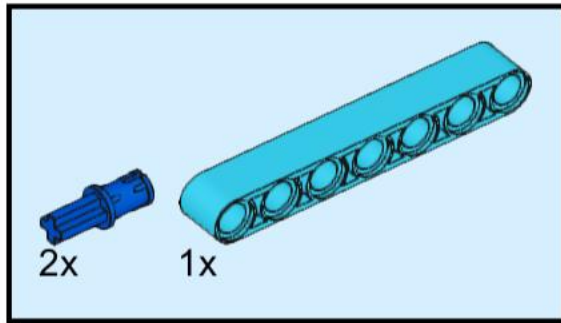
20



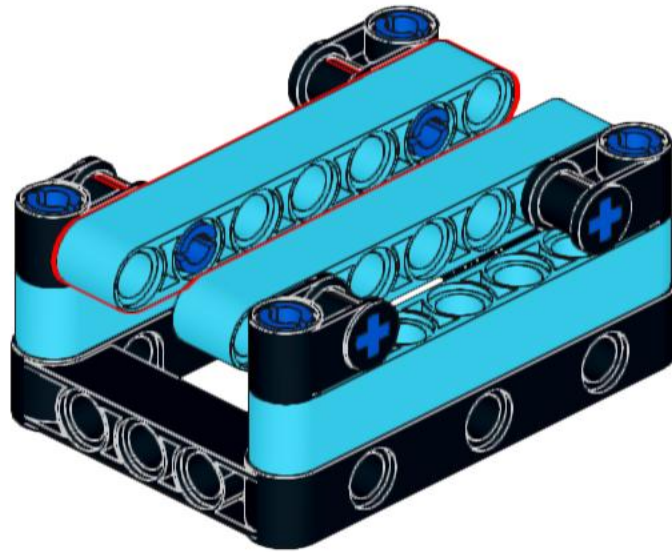
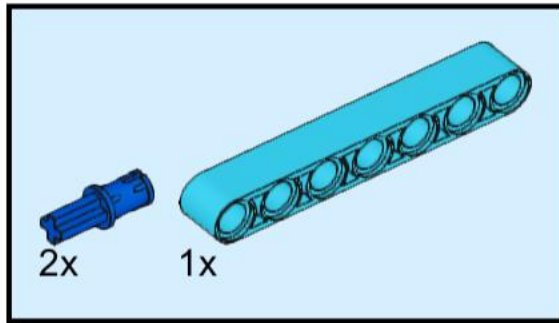
21



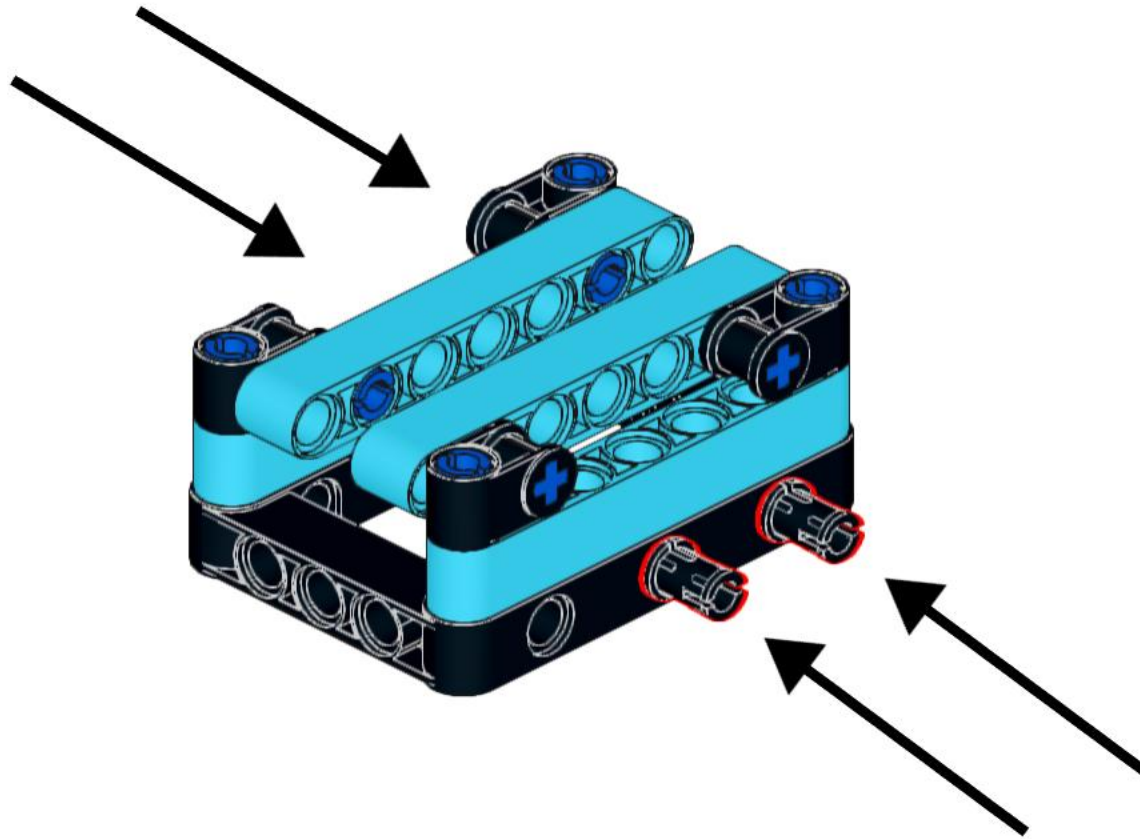
22



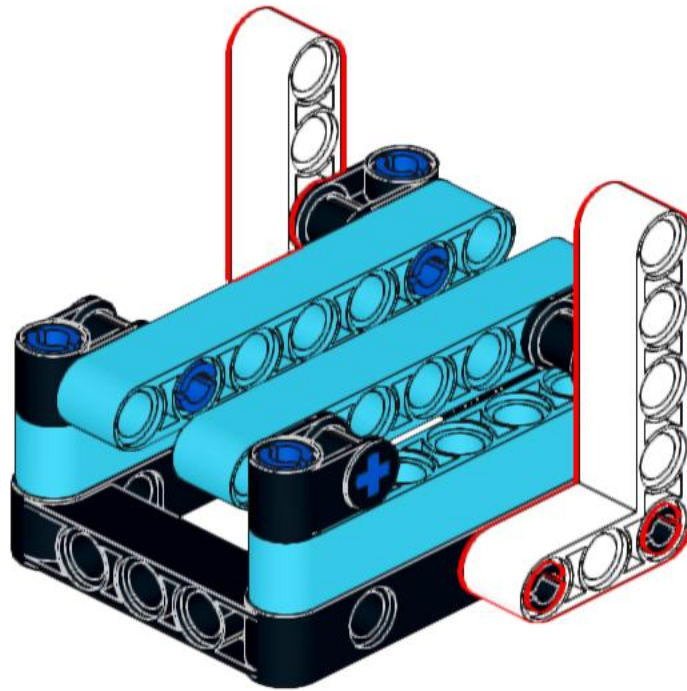
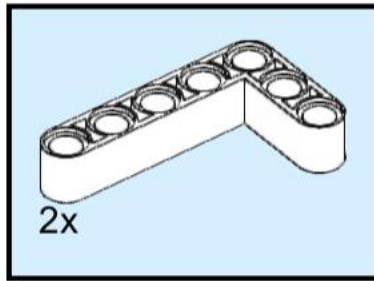
23



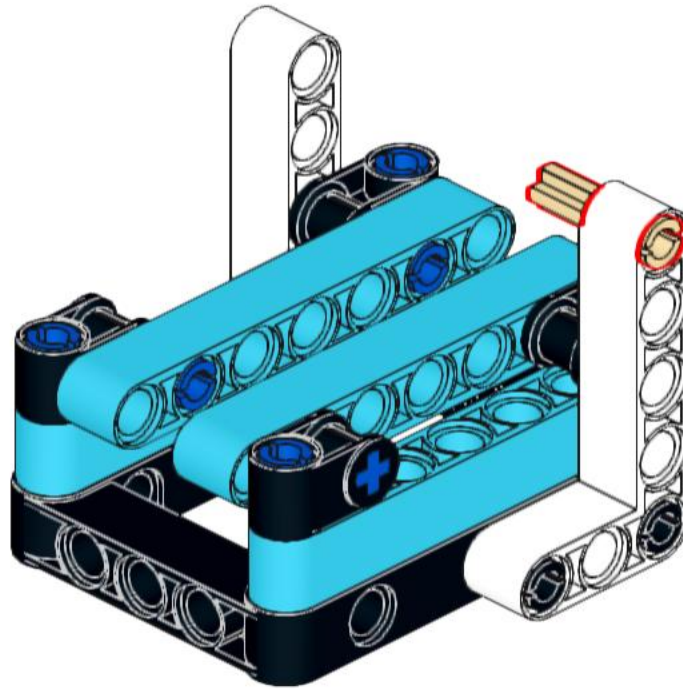
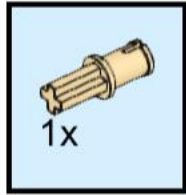
24



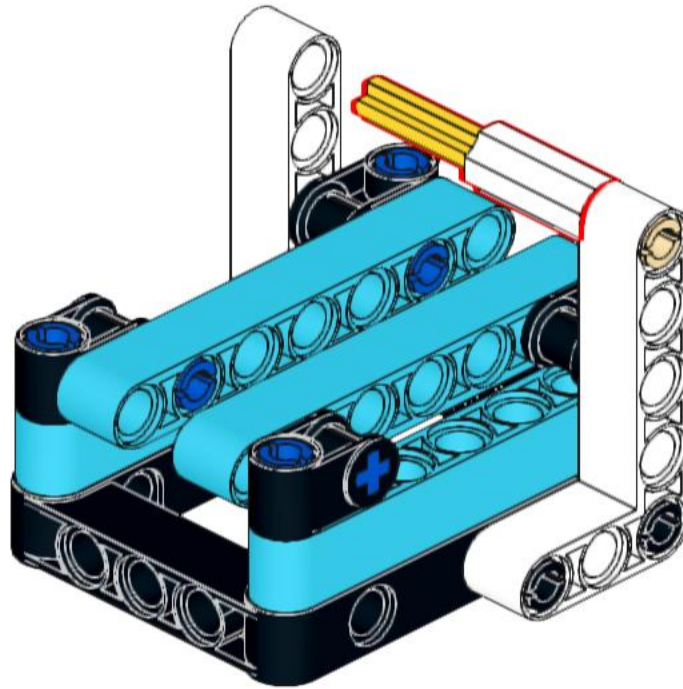
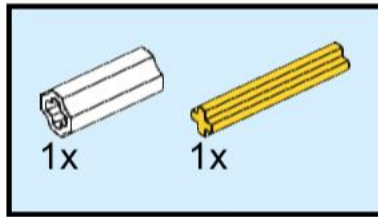
25



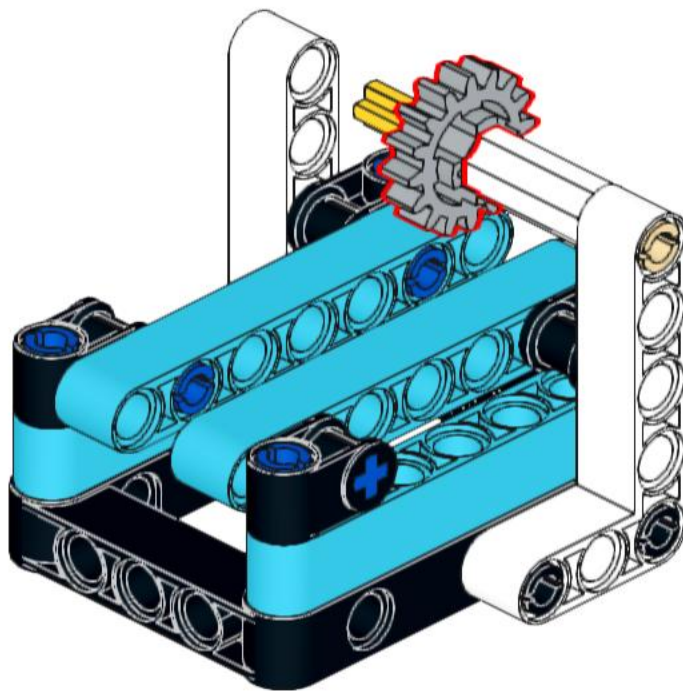
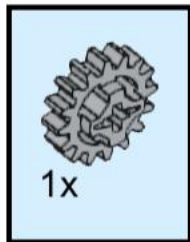
26



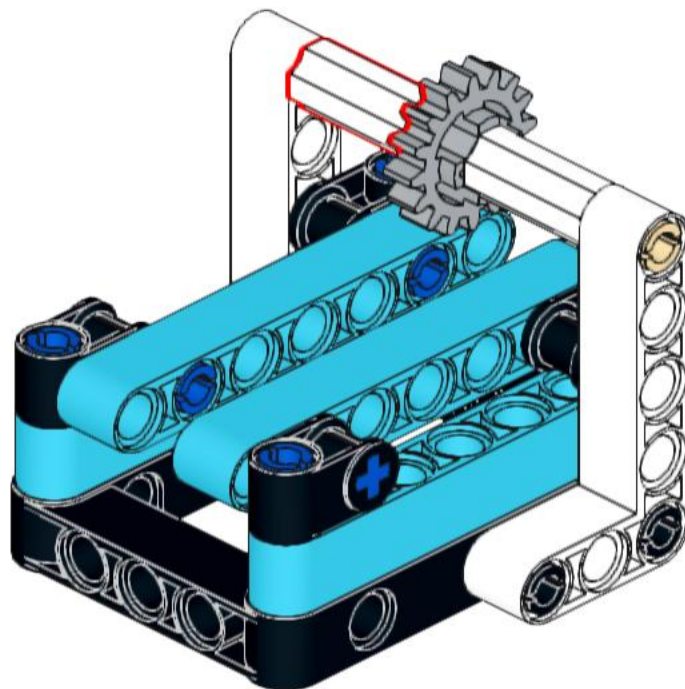
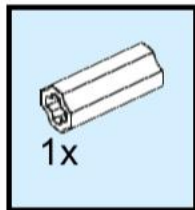
27



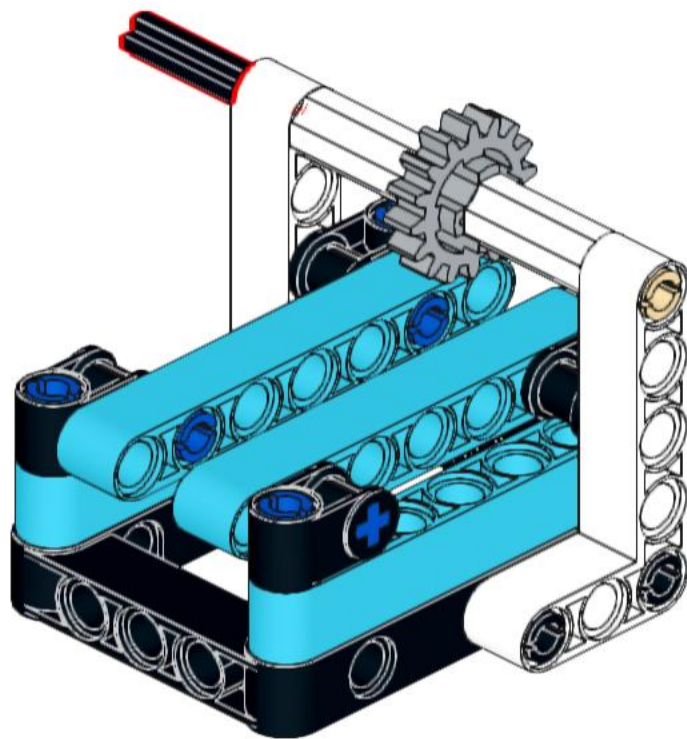
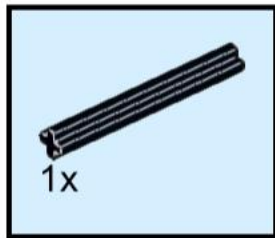
28



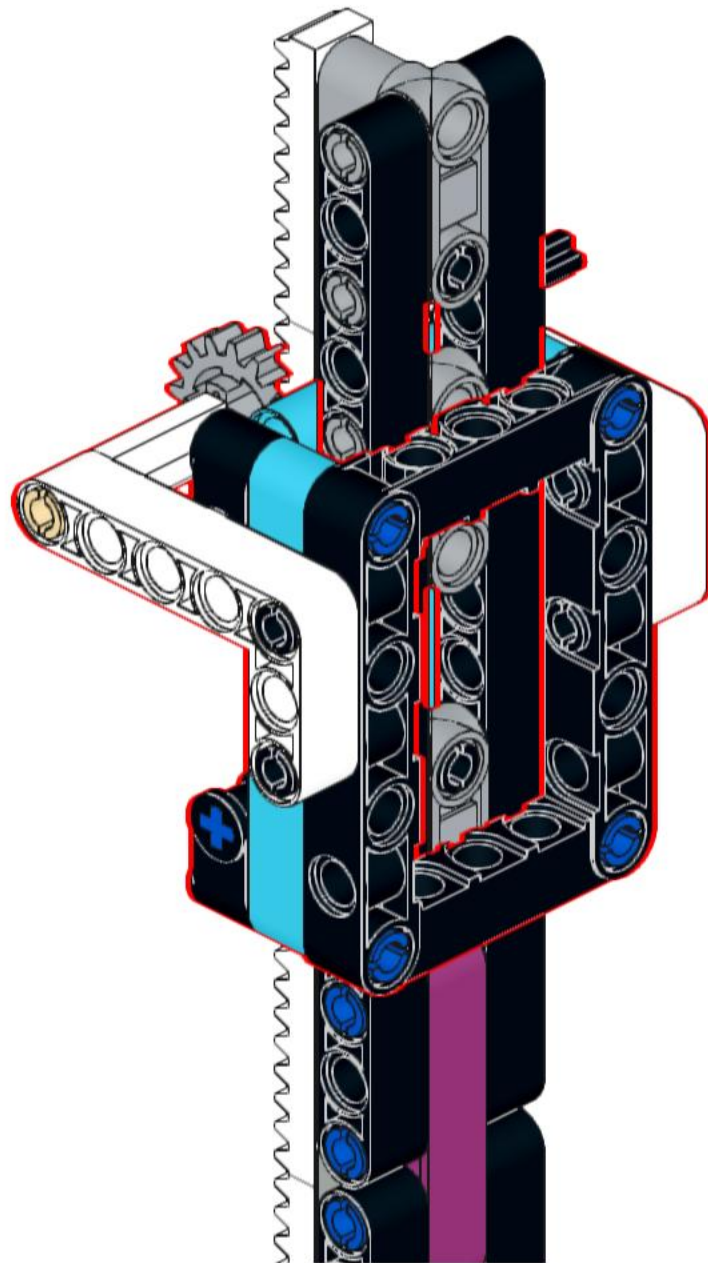
29



30



31

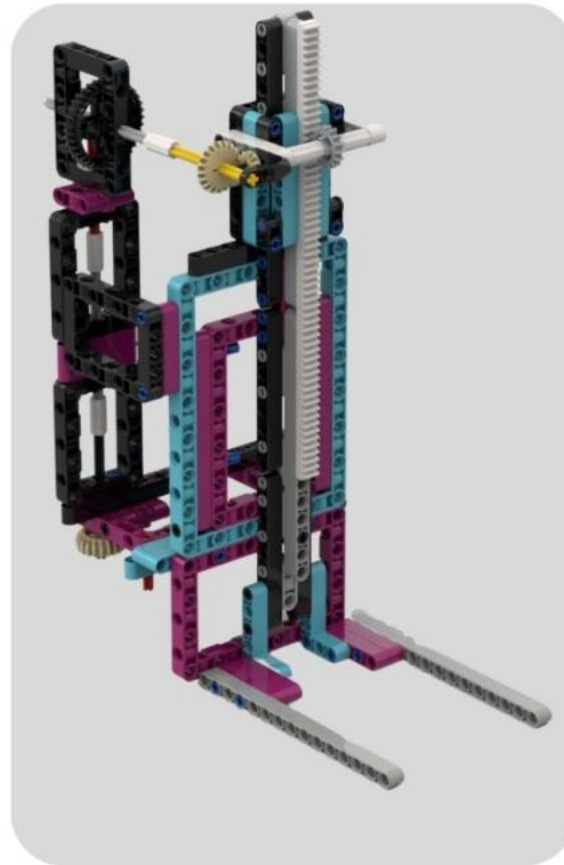


SUPPORTING FRAME AND GEAR CHAIN

Phase 1



Phase 2

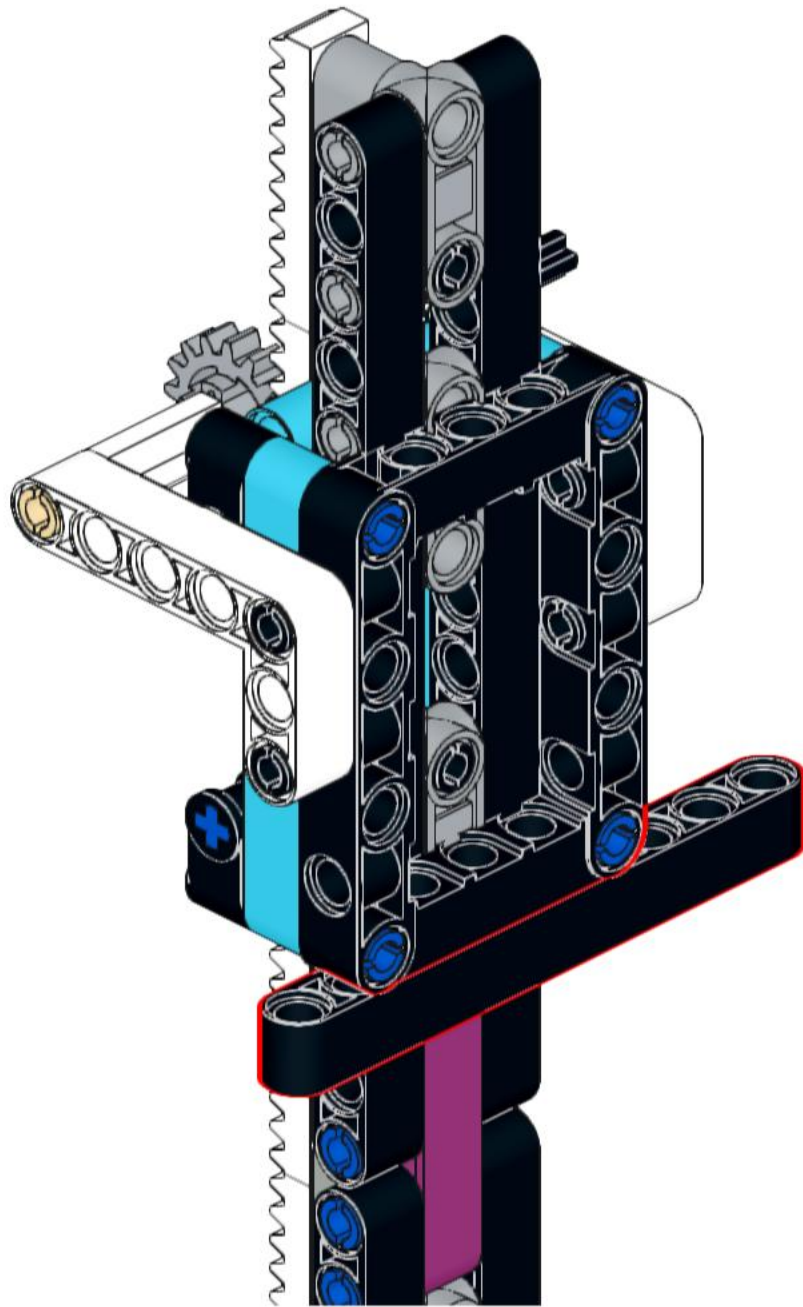
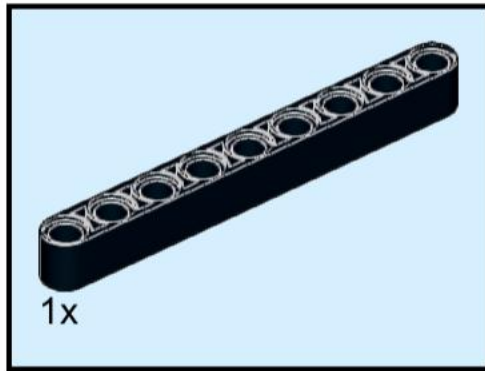


Phase 3



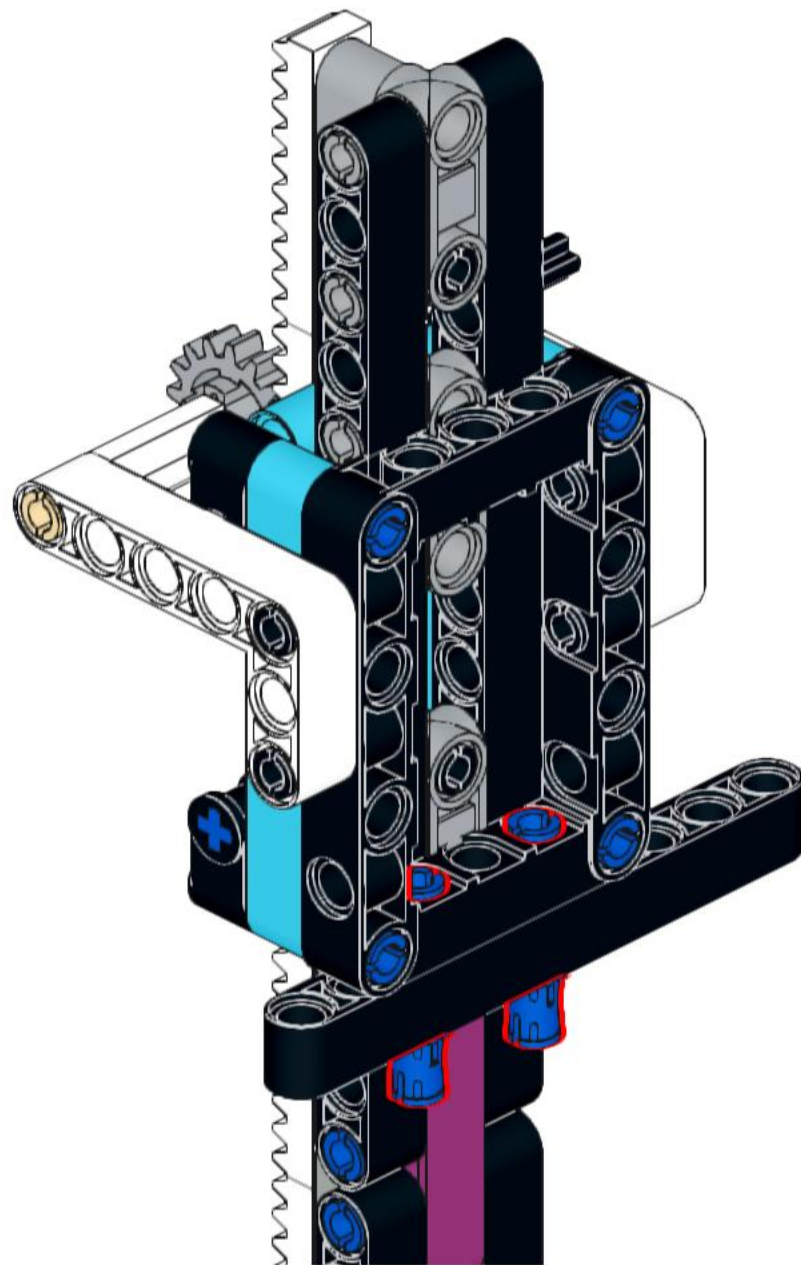
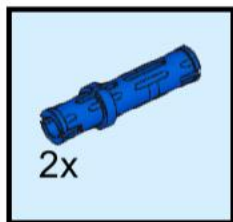
Frame Fits YellowBot V3

32

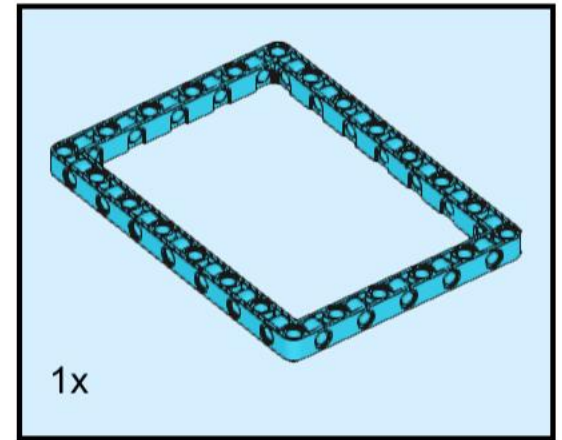


Frame
Support

33

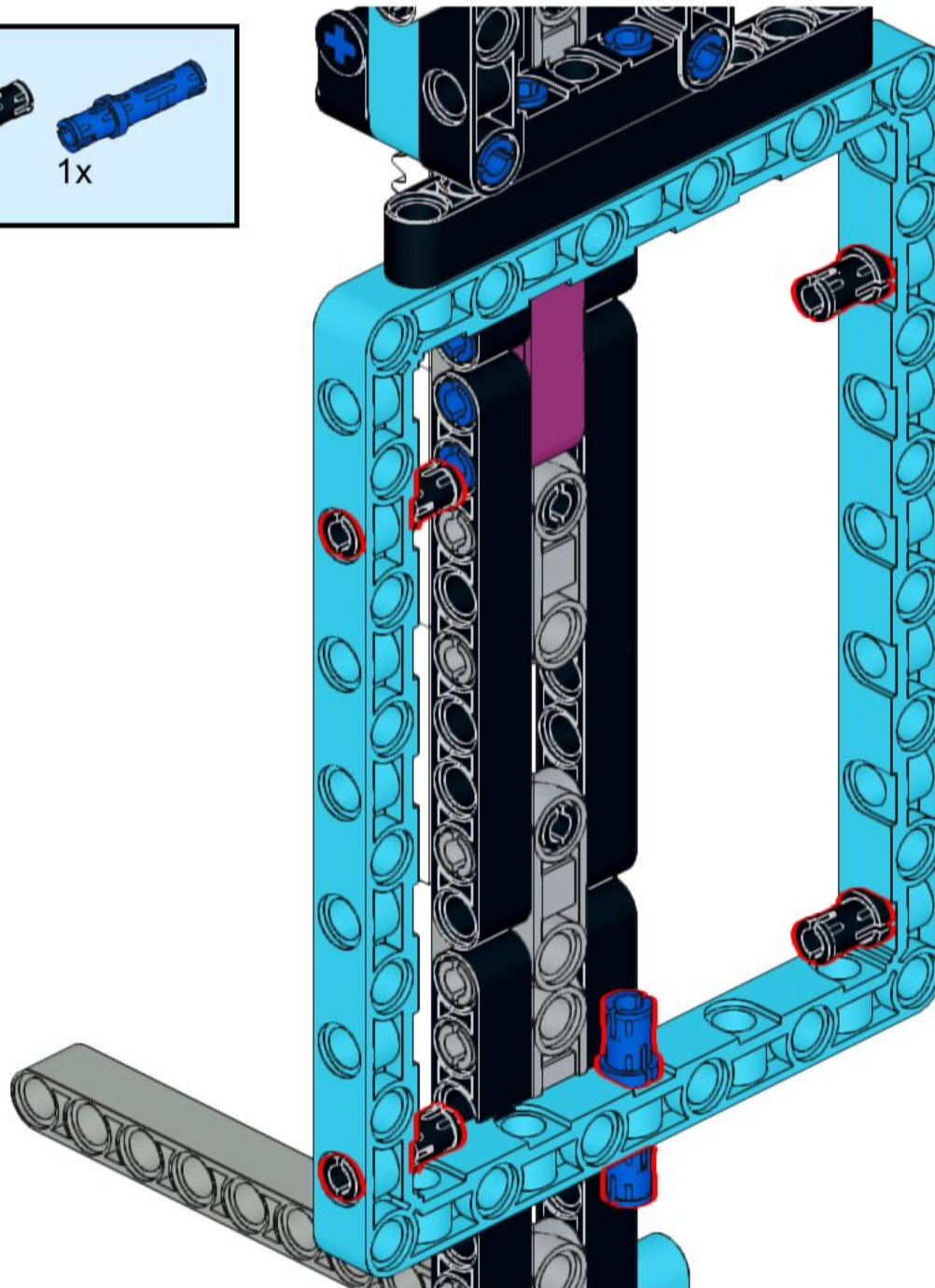
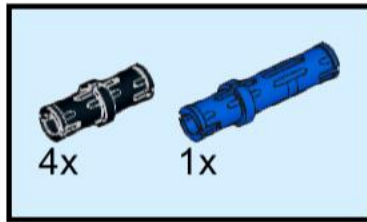


34

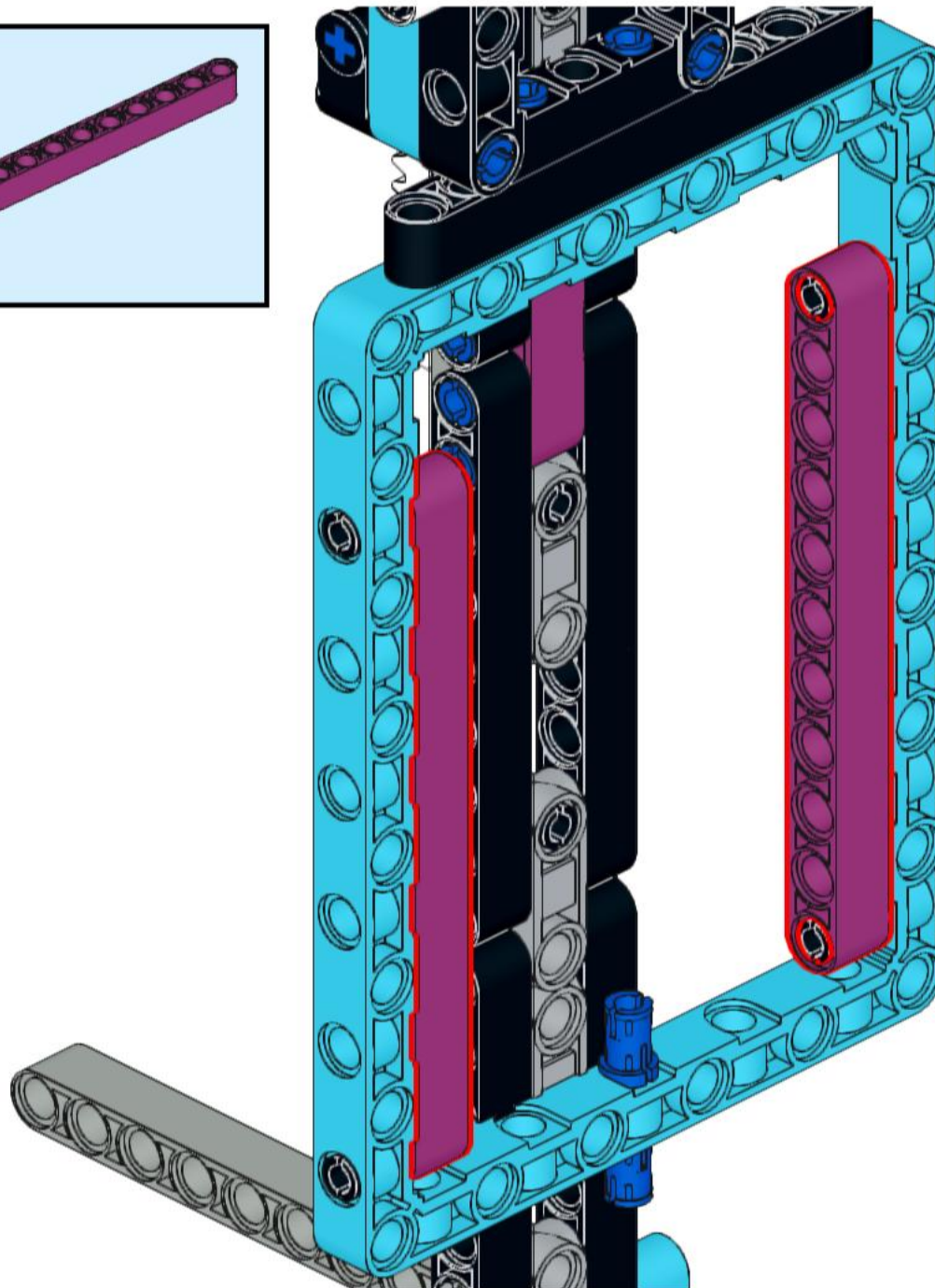
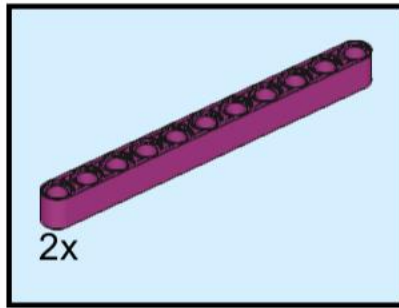


1x

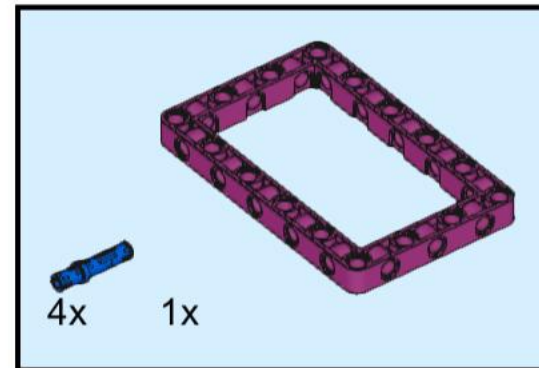
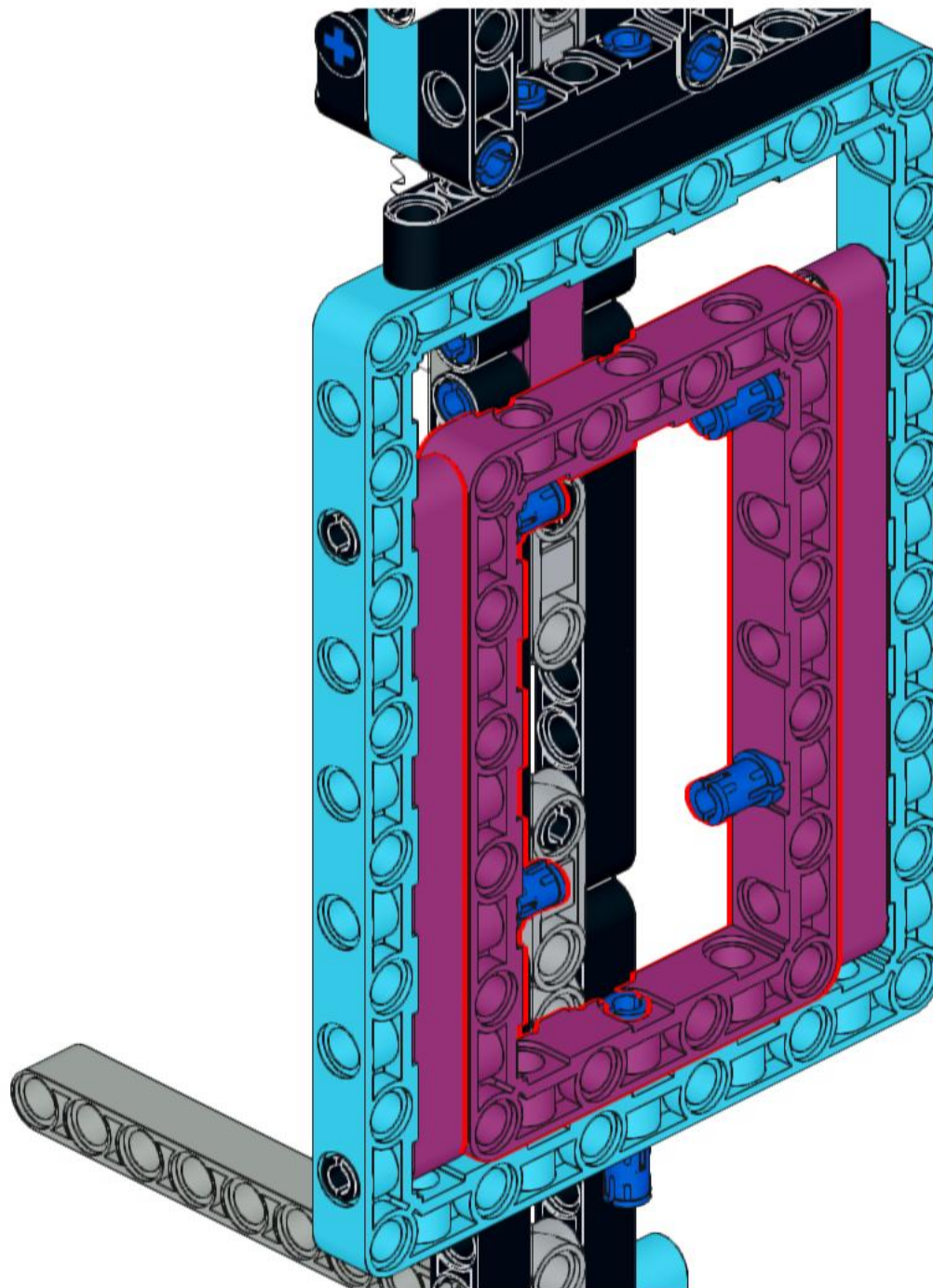
35



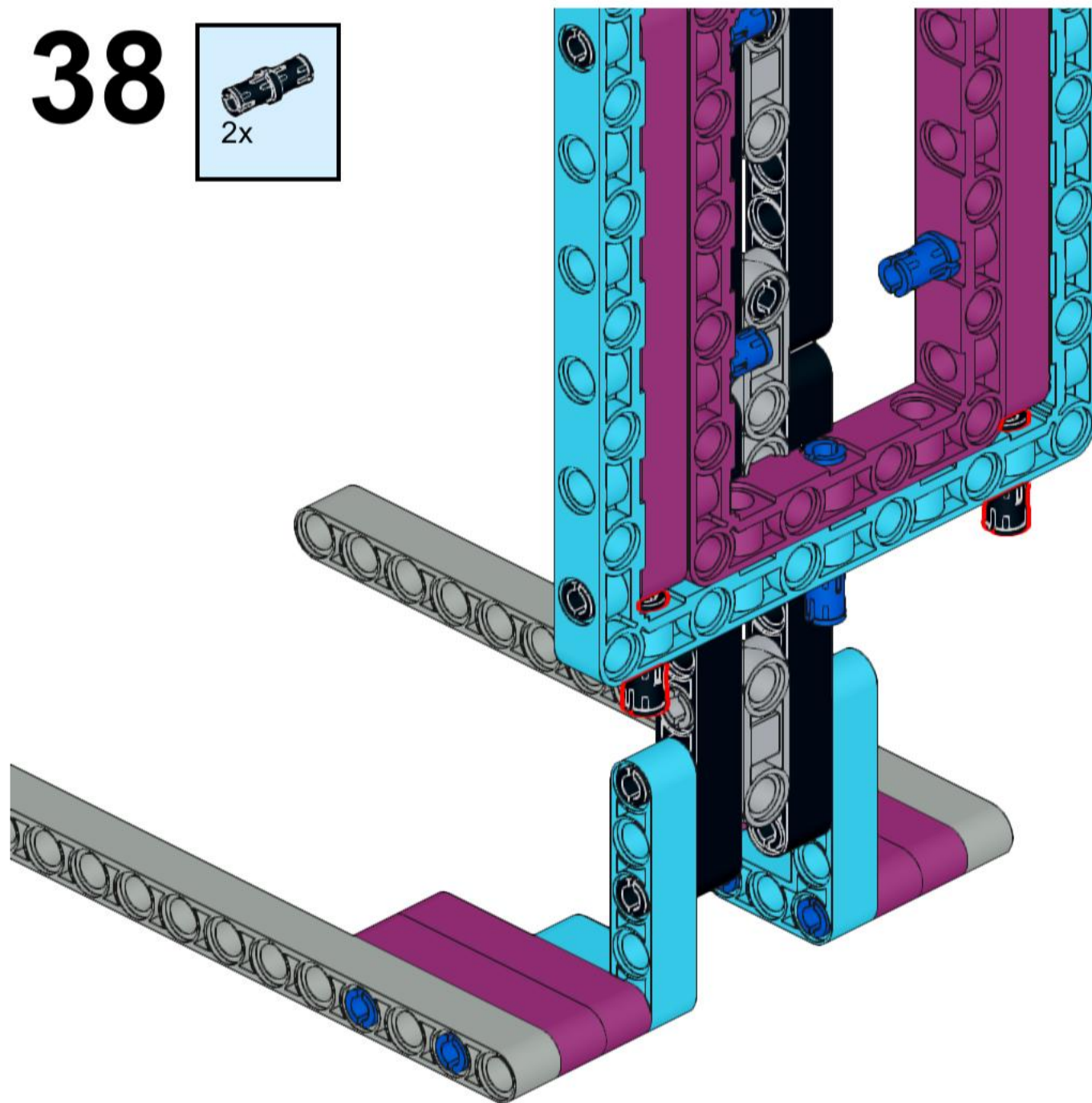
36



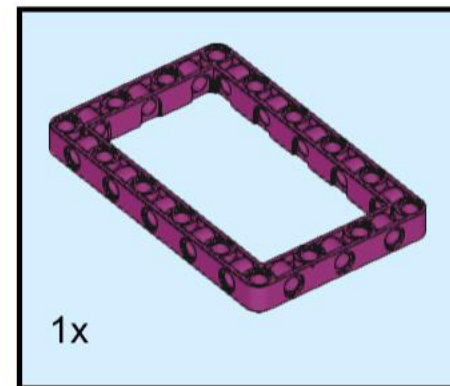
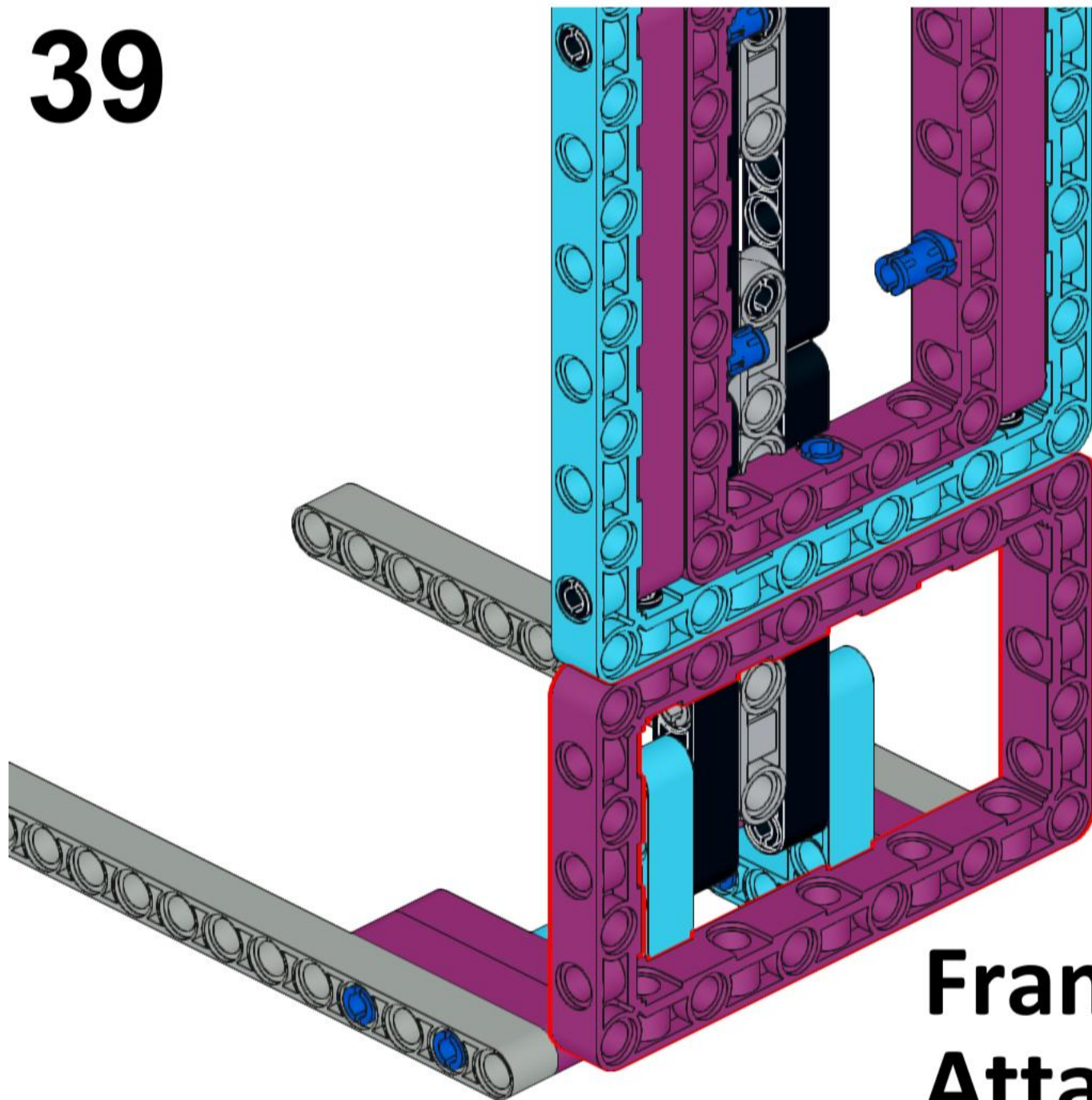
37



38

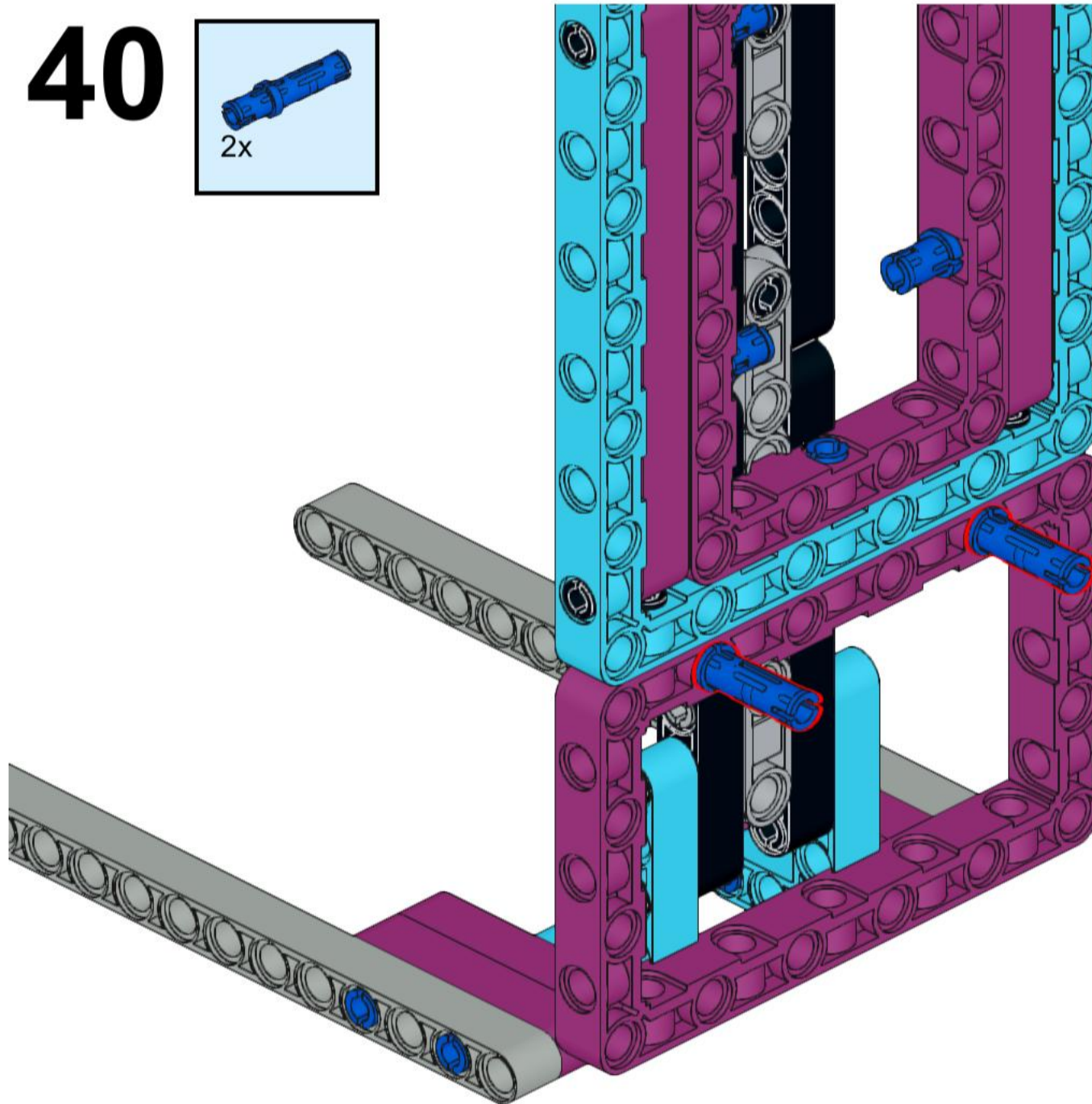
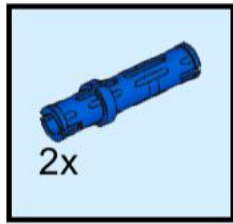


39

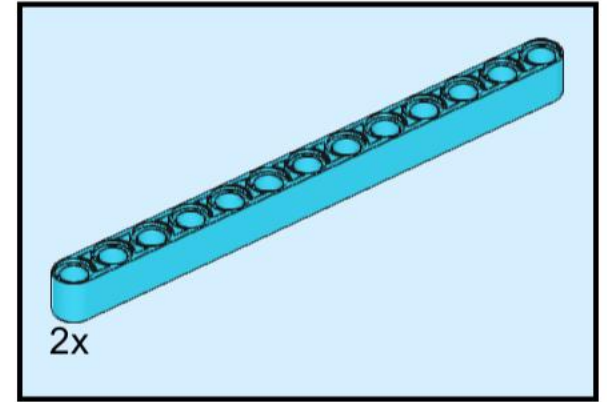
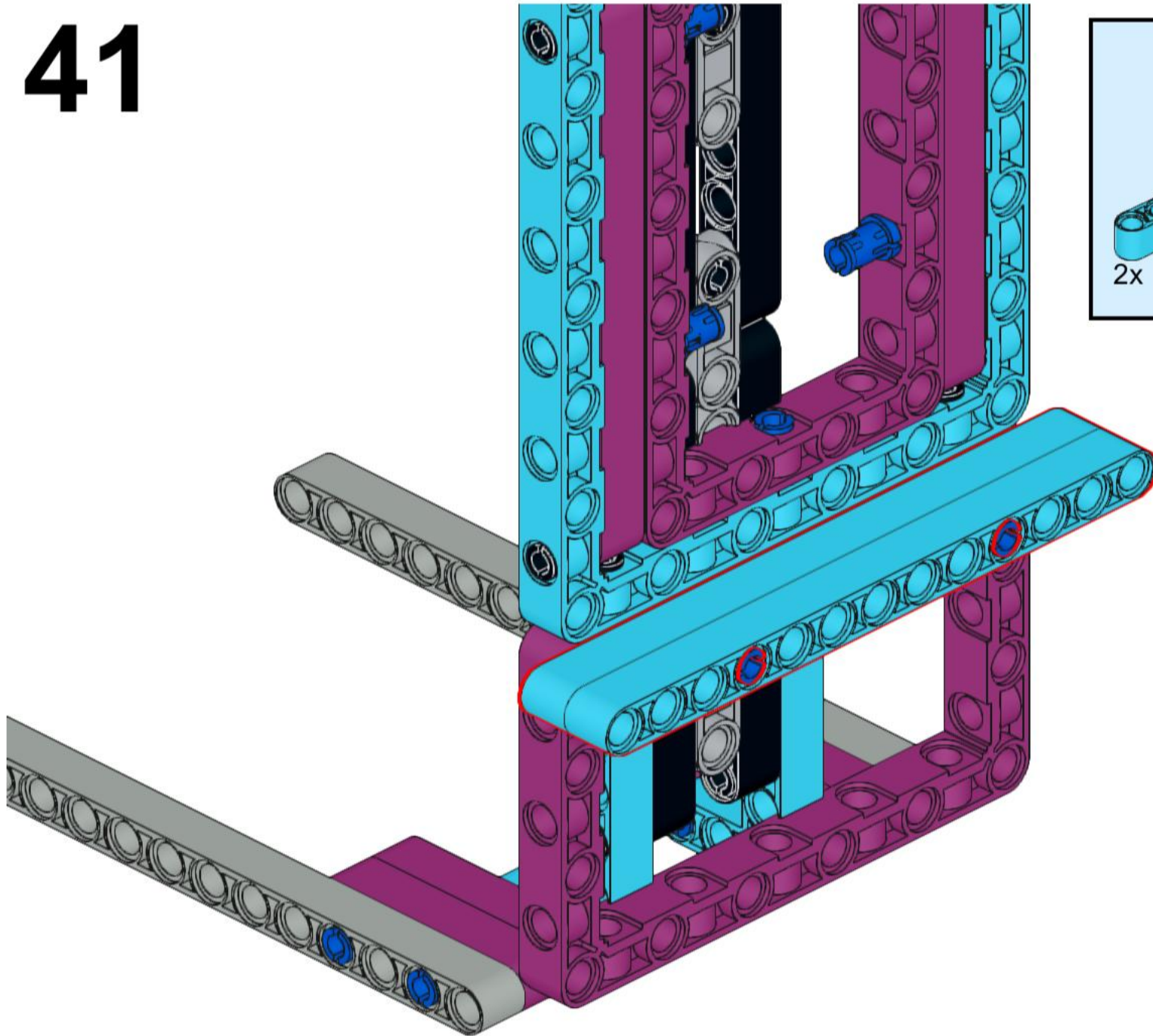


**Frame
Attachment**

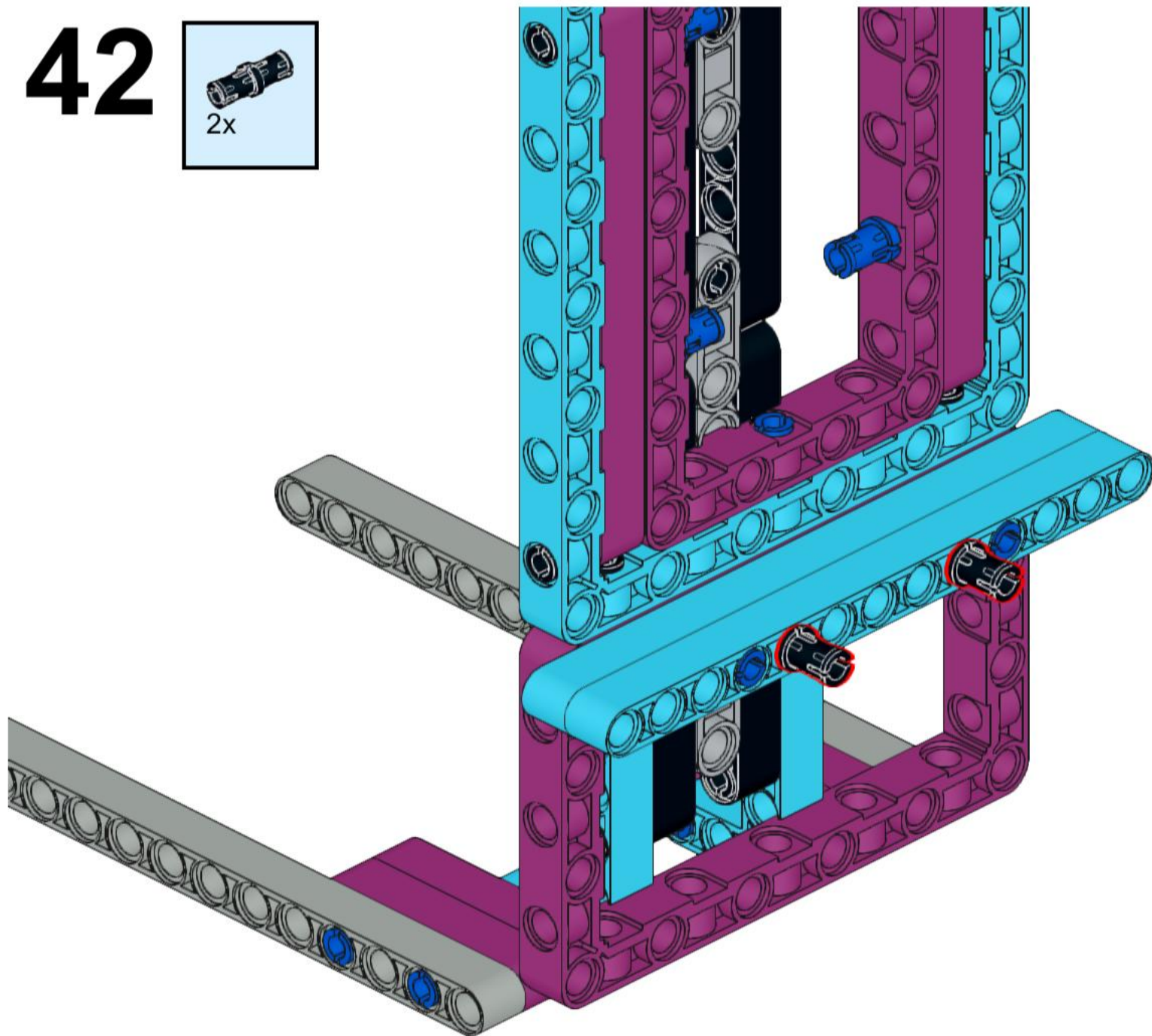
40



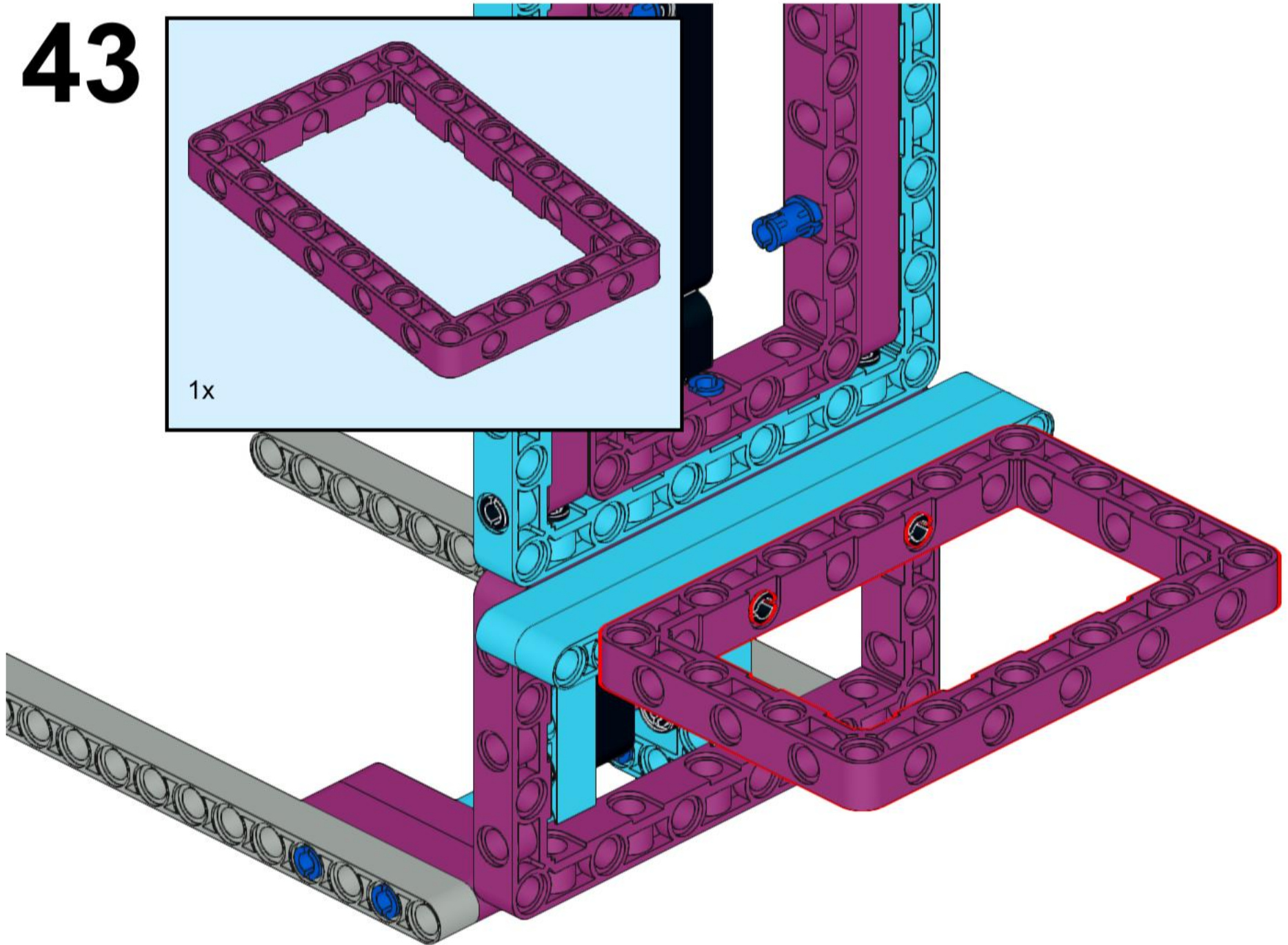
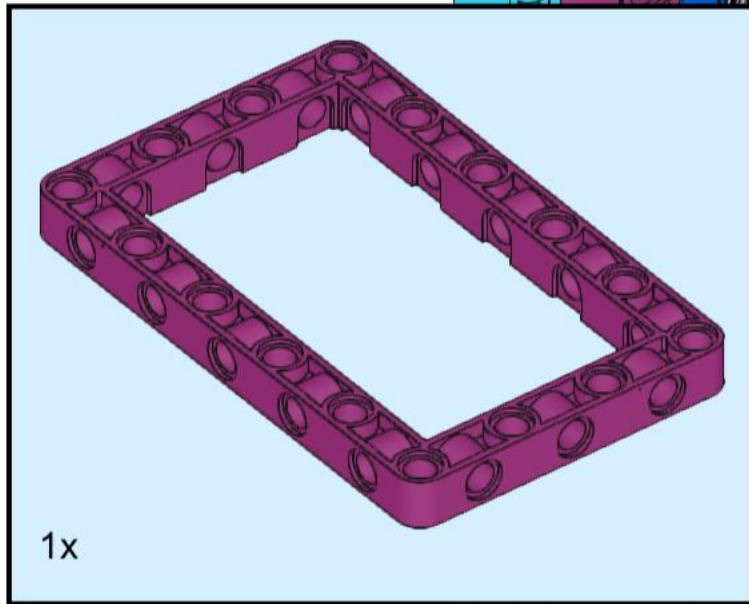
41



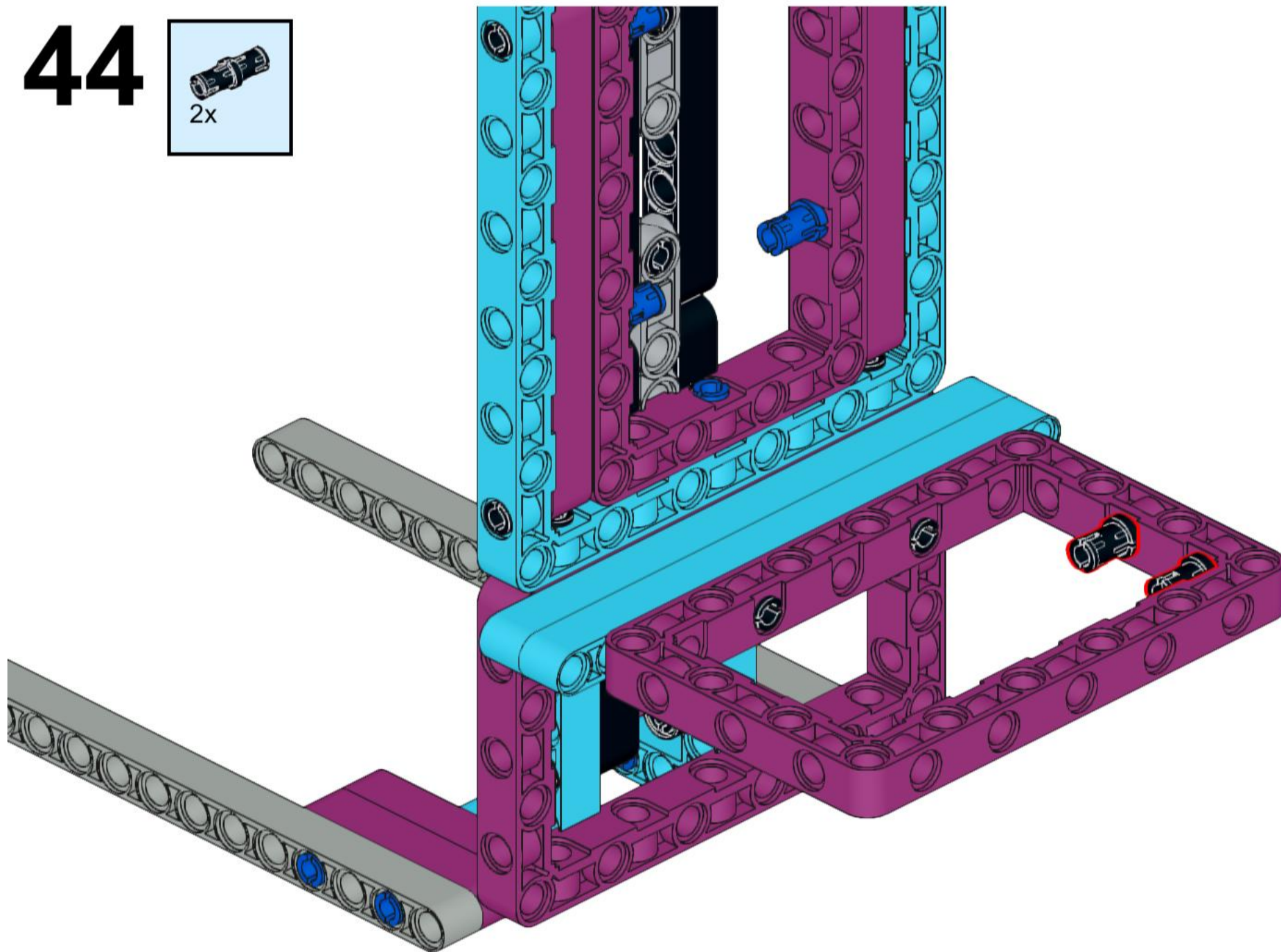
42



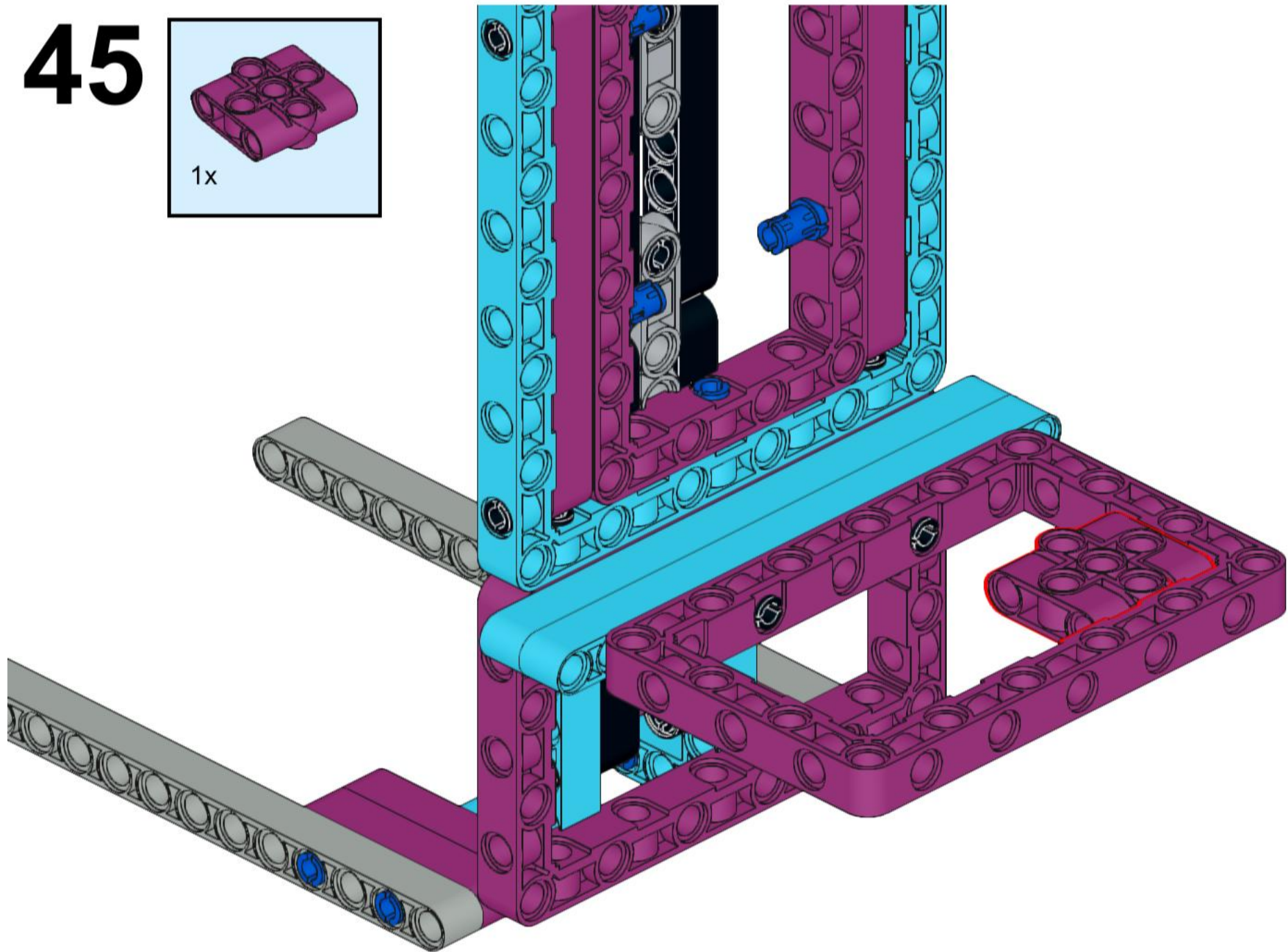
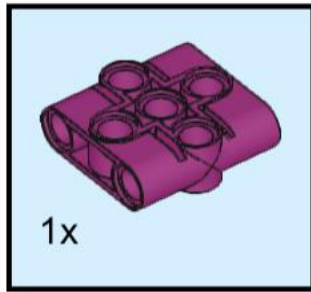
43



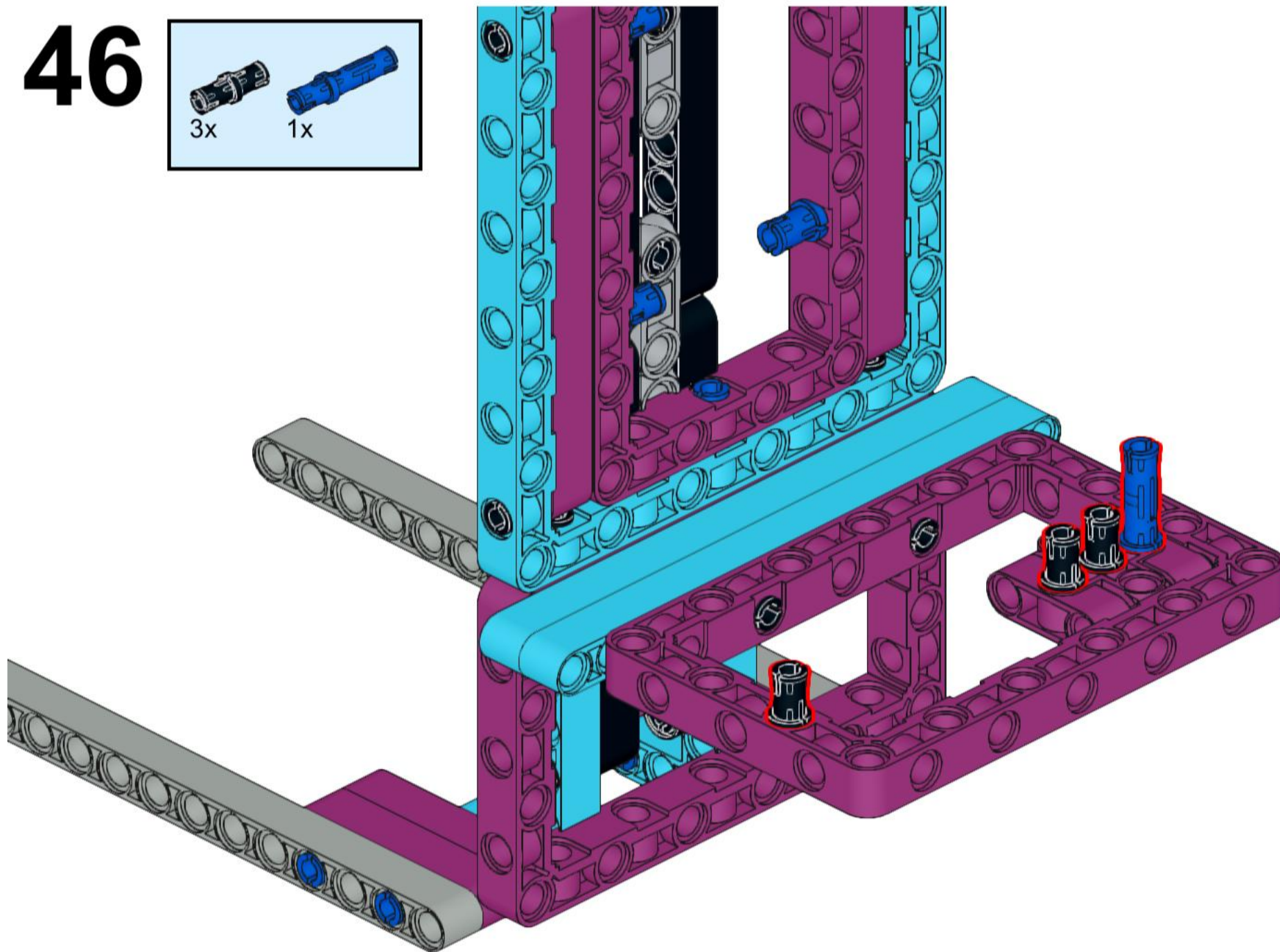
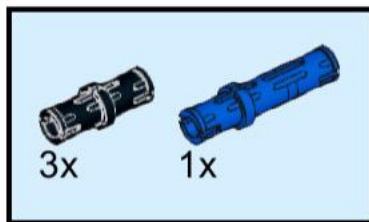
44



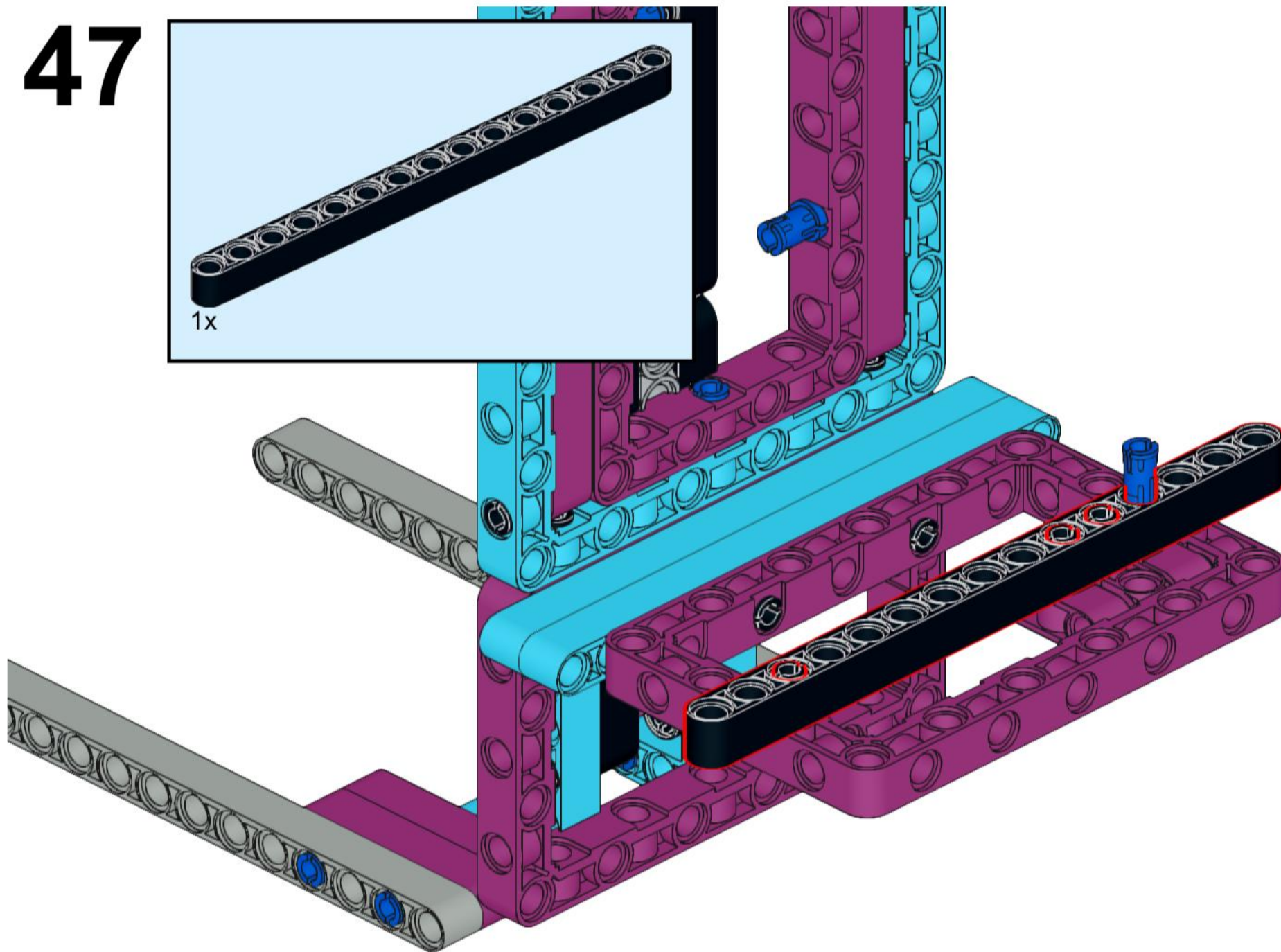
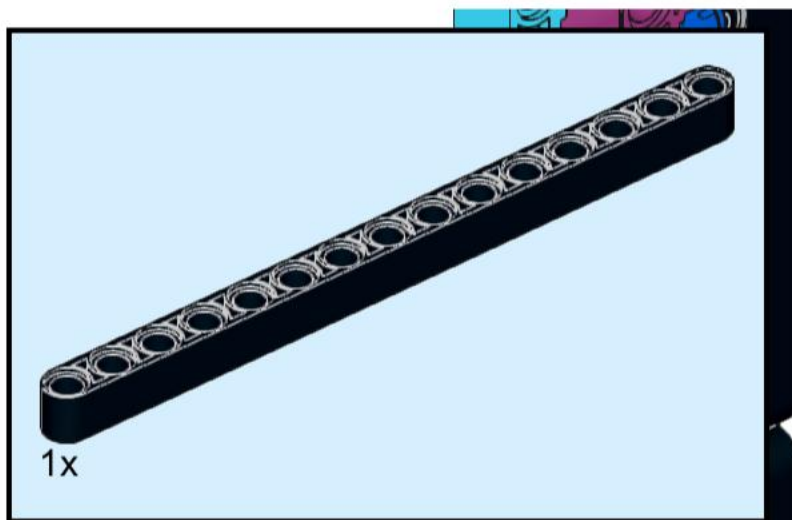
45



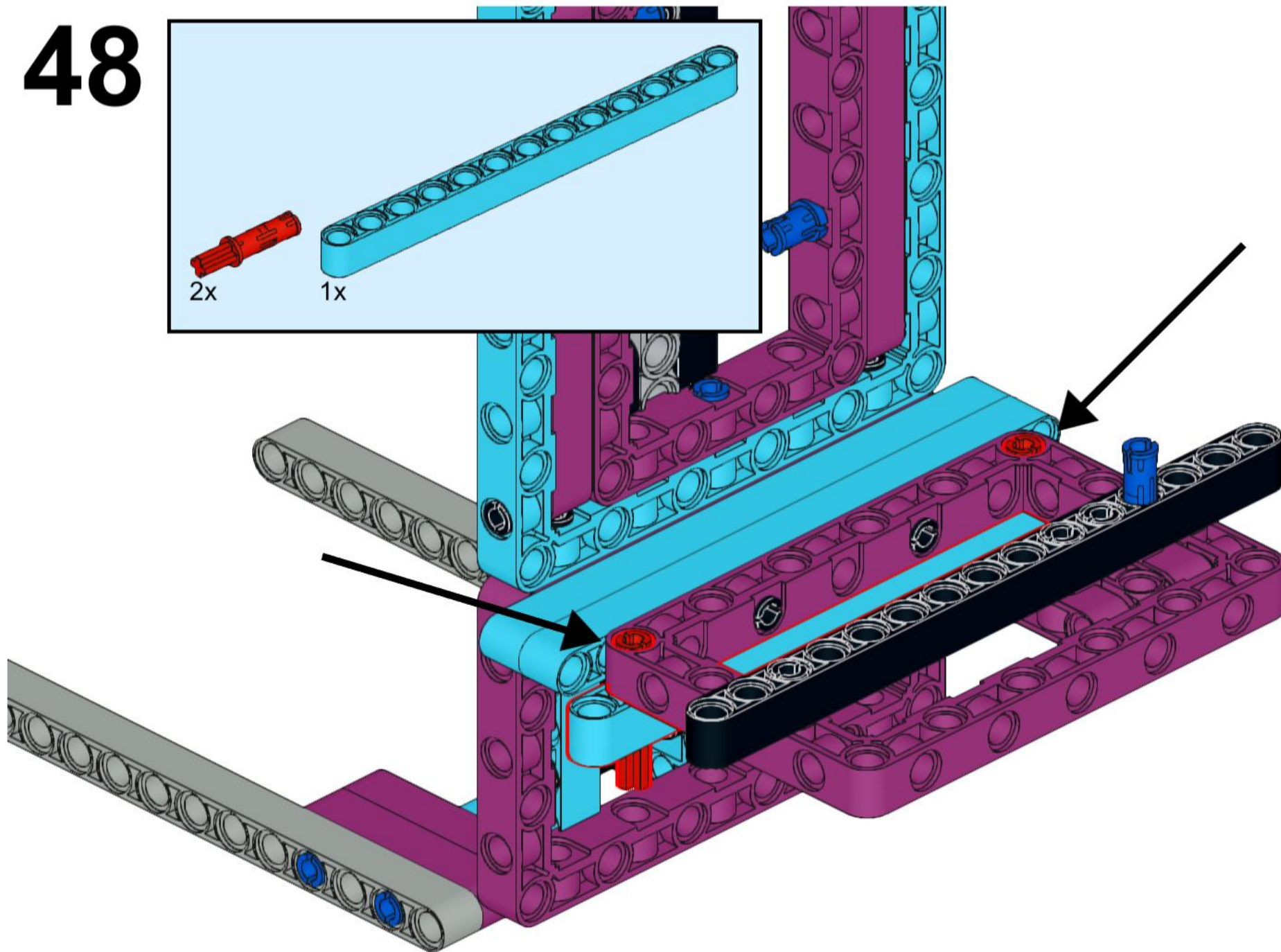
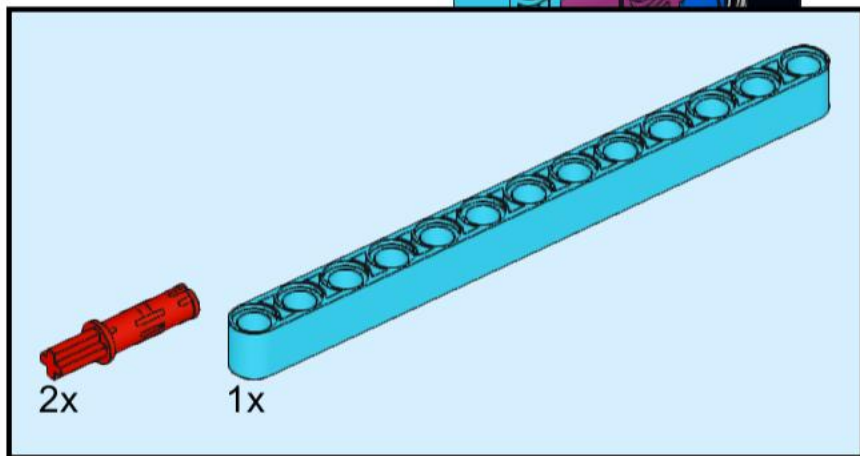
46



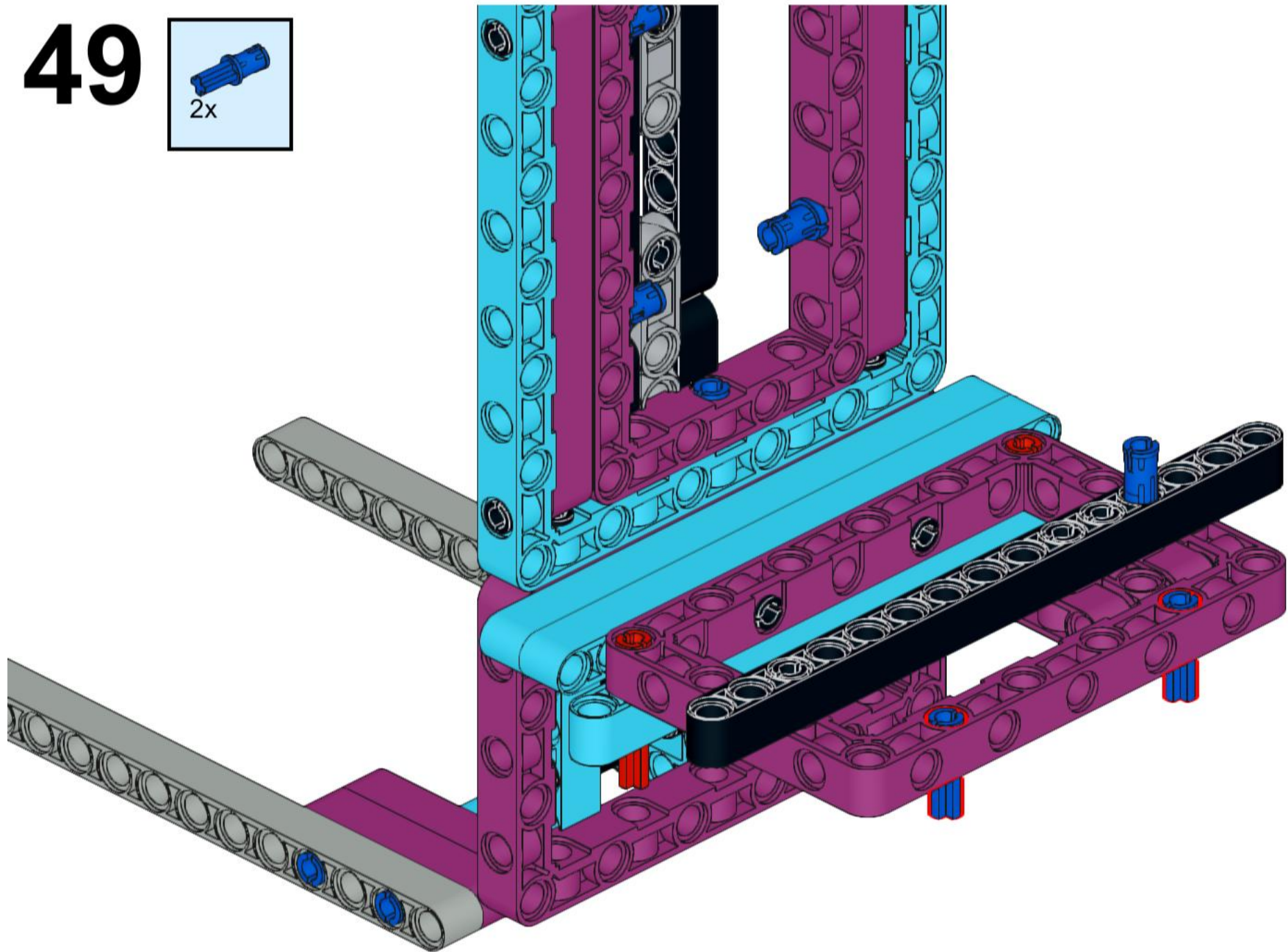
47



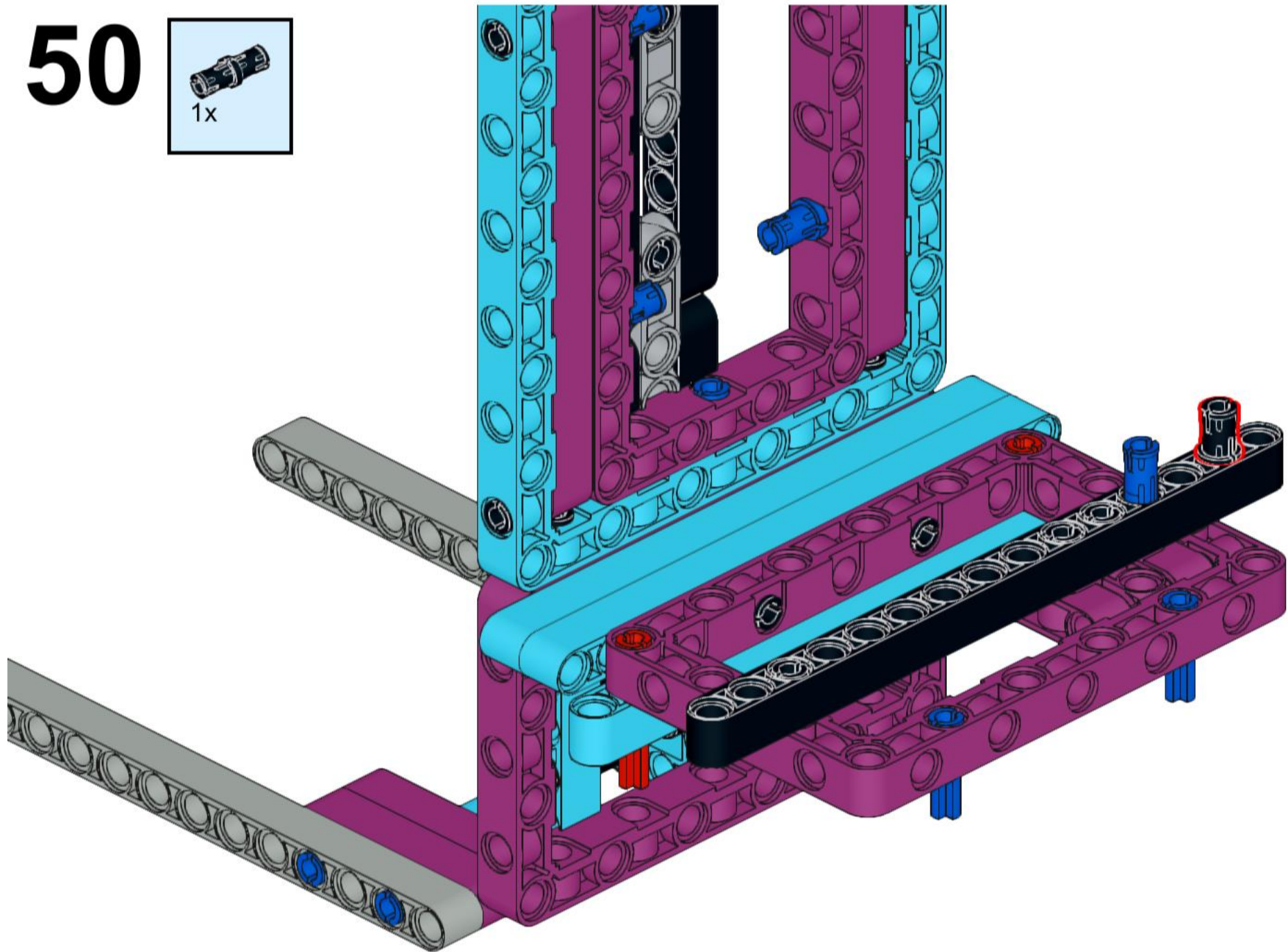
48



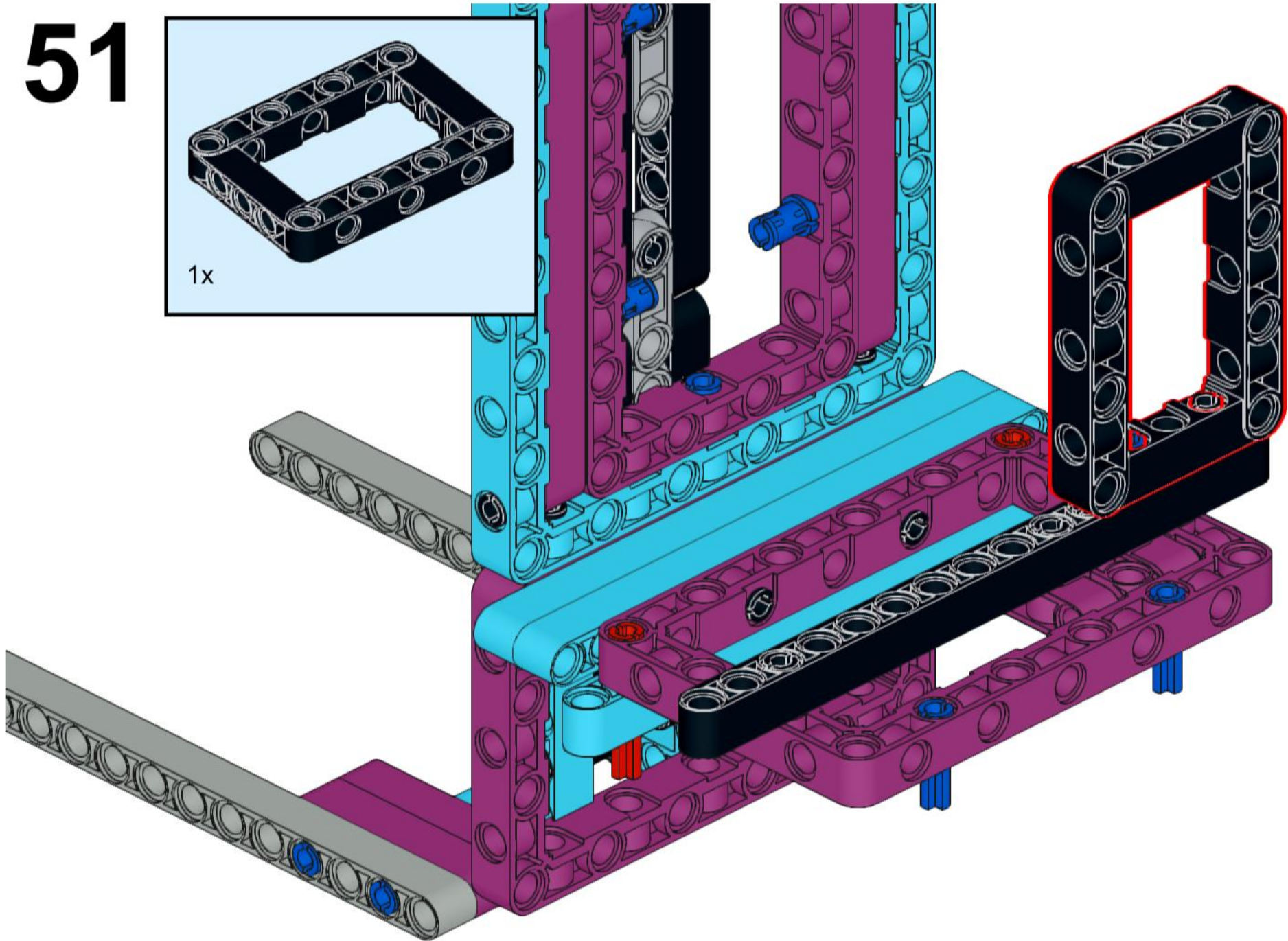
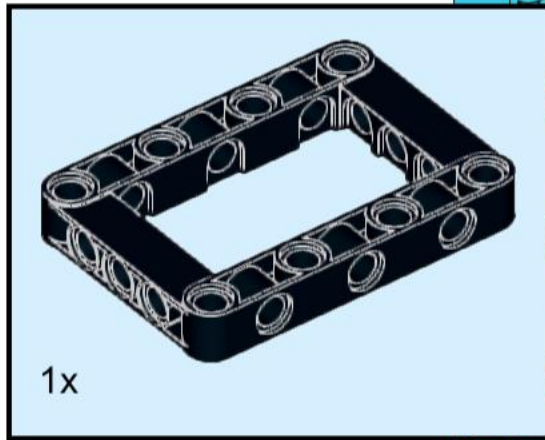
49



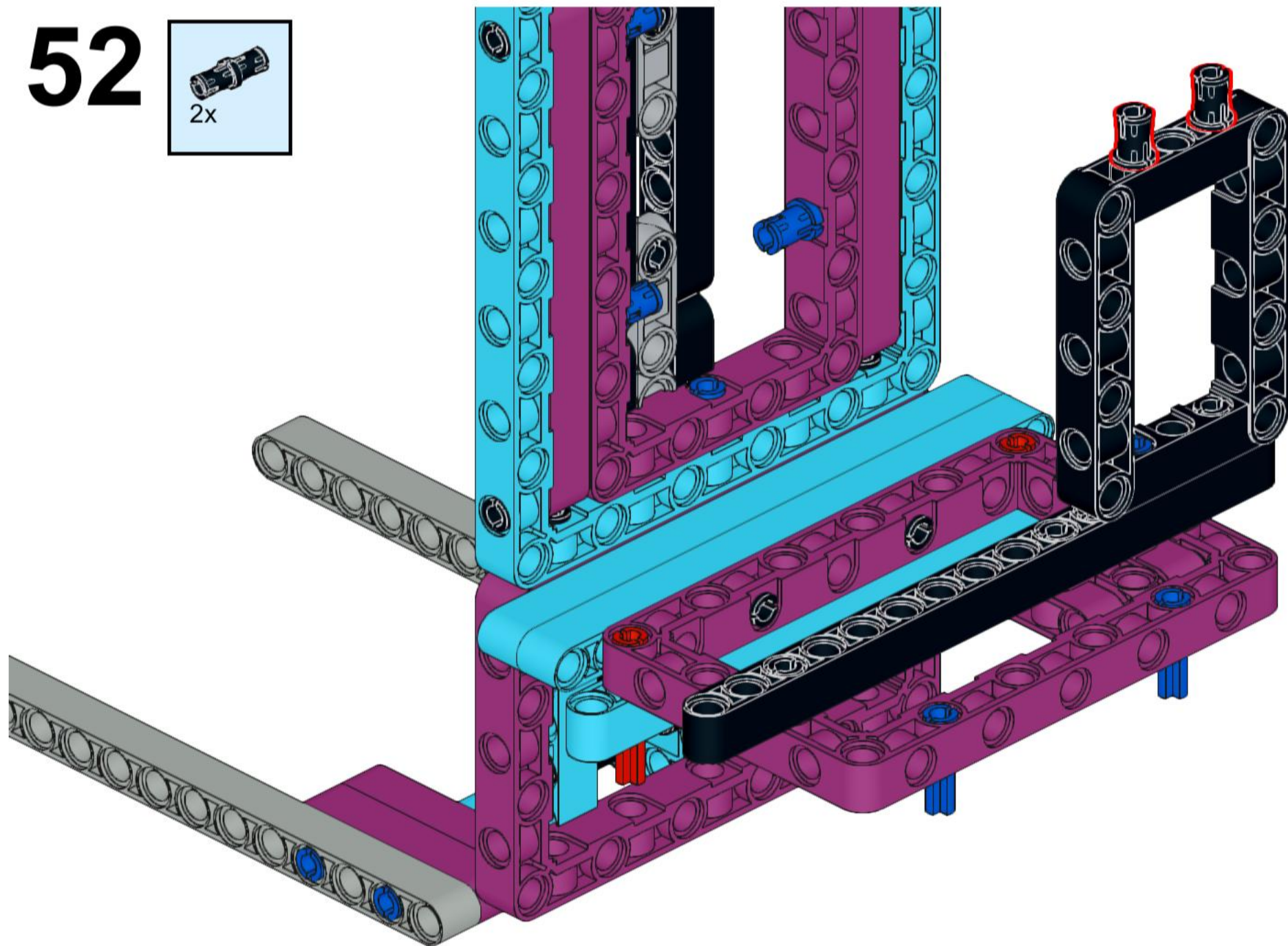
50

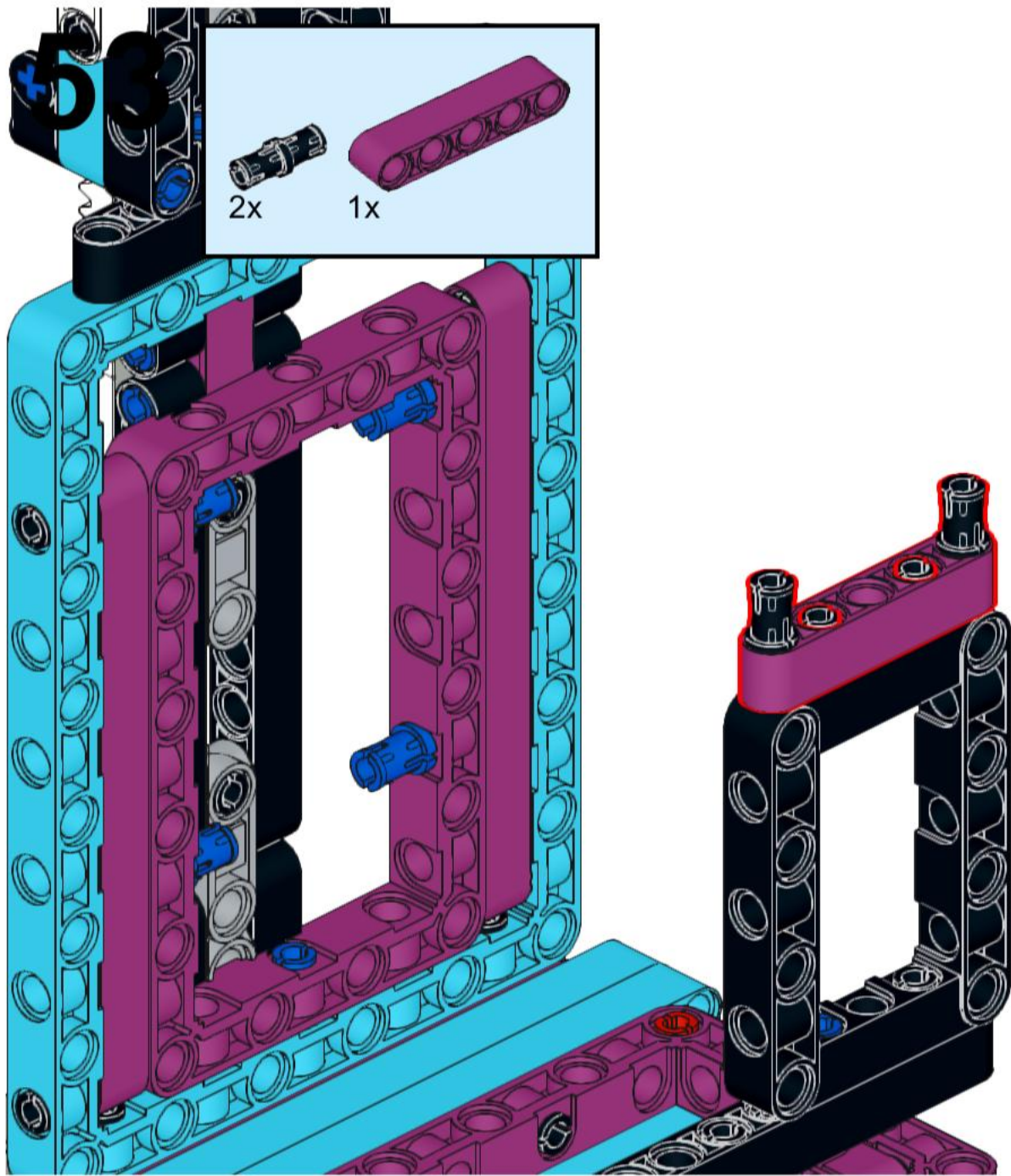


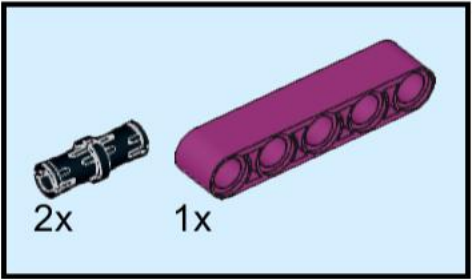
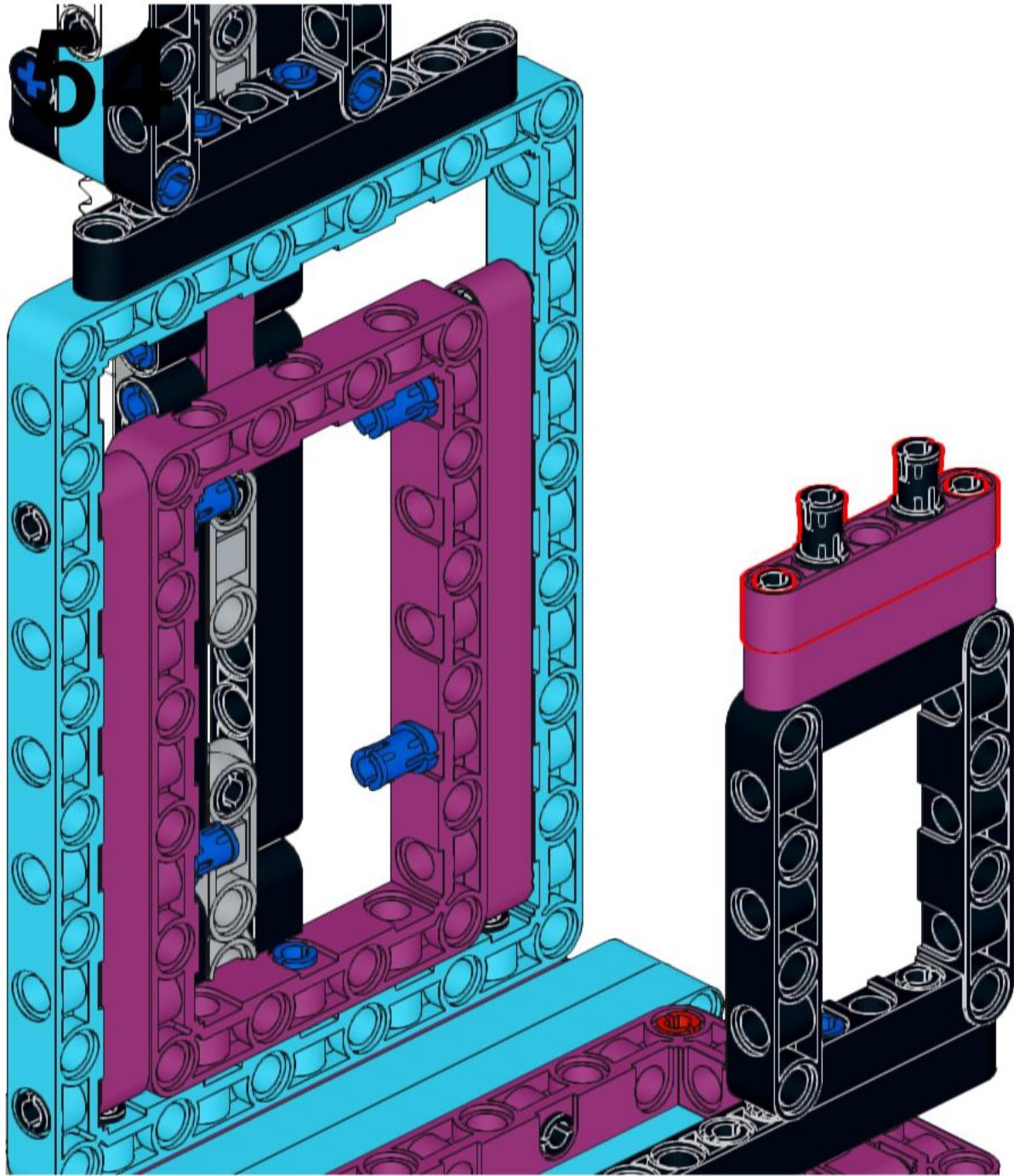
51

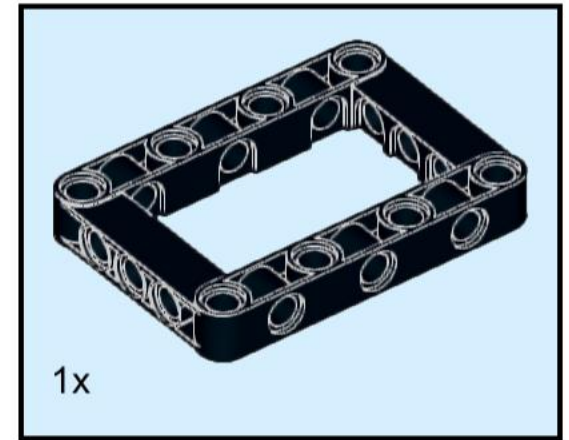
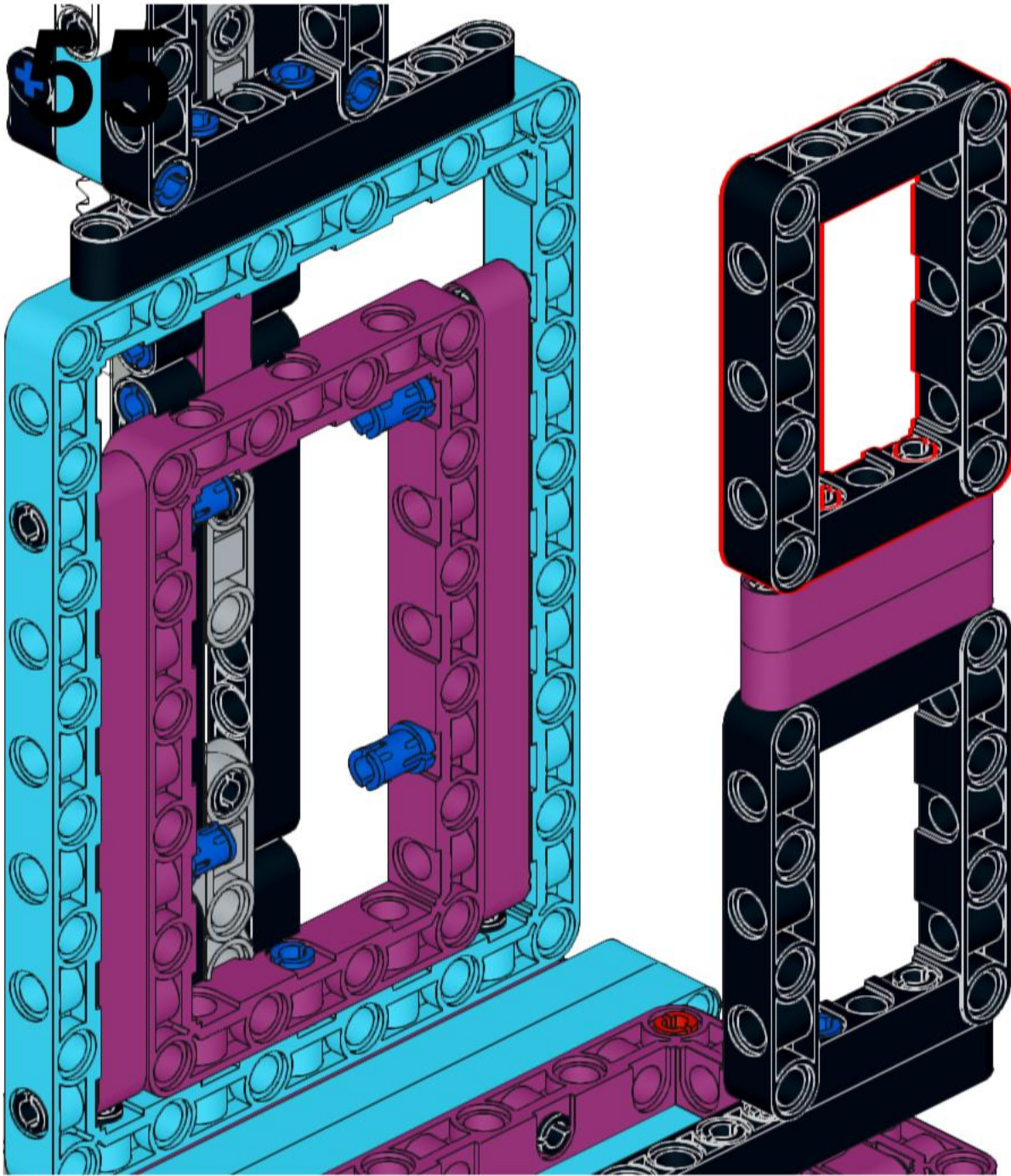


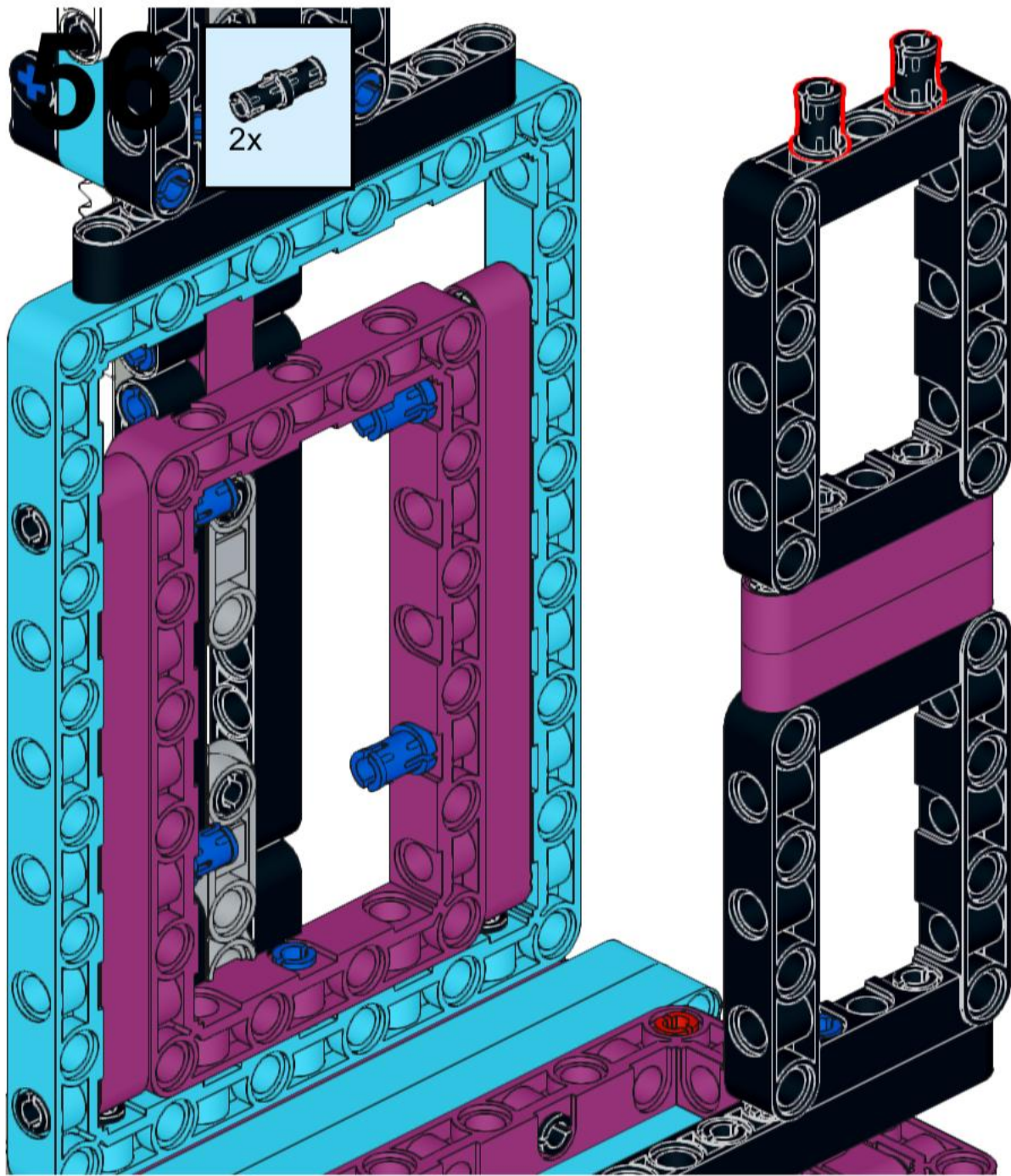
52

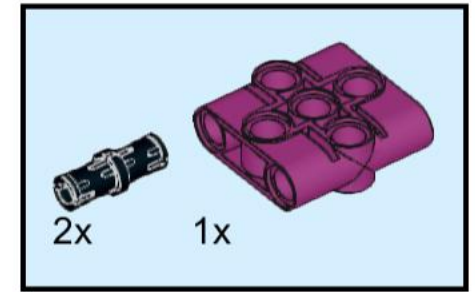
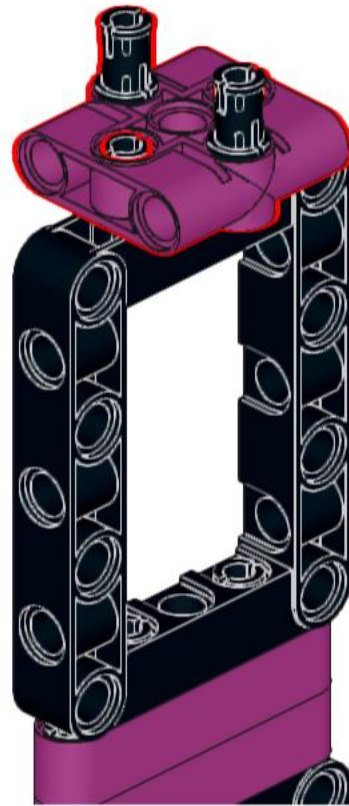
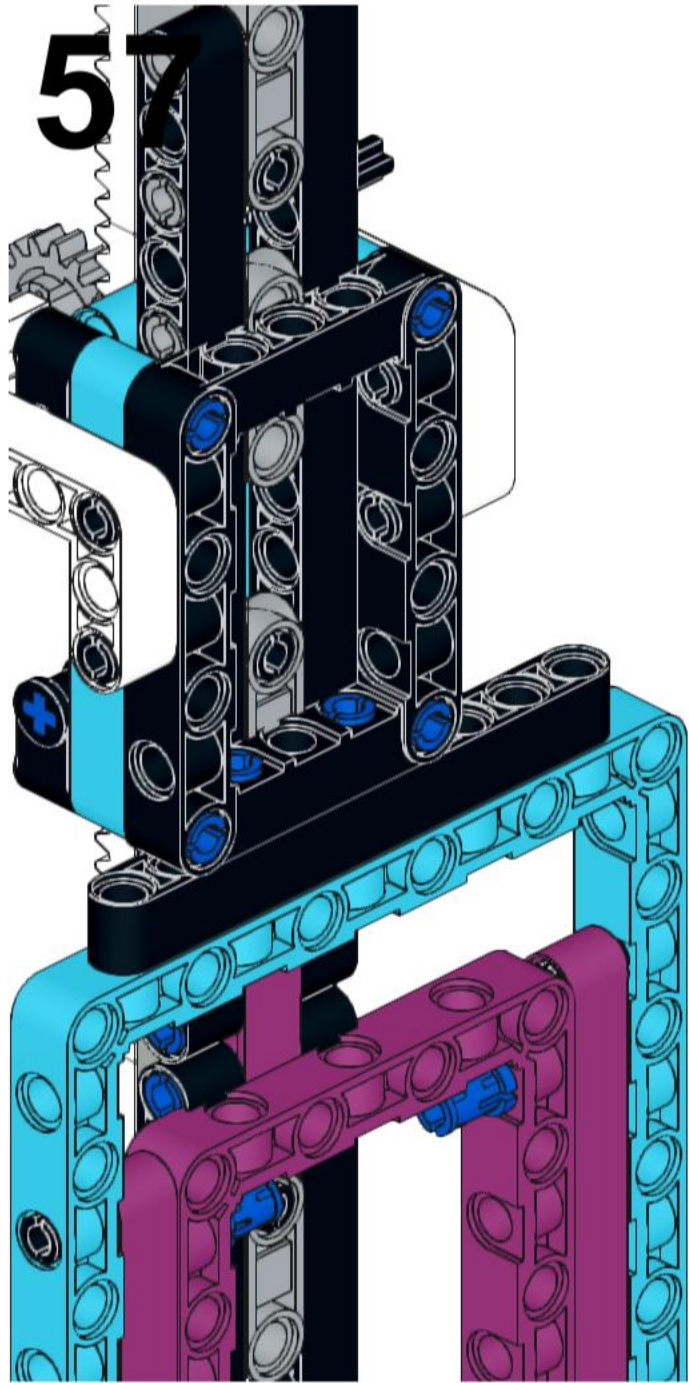


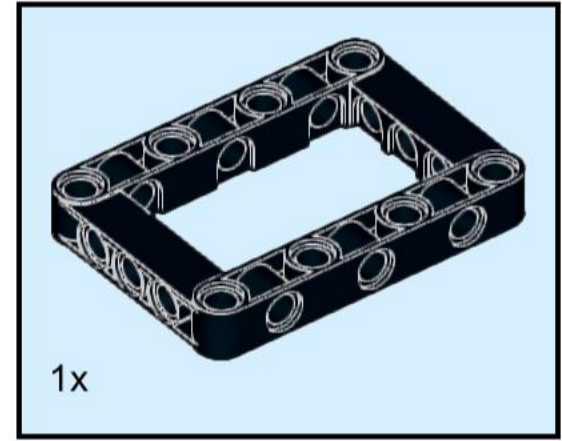
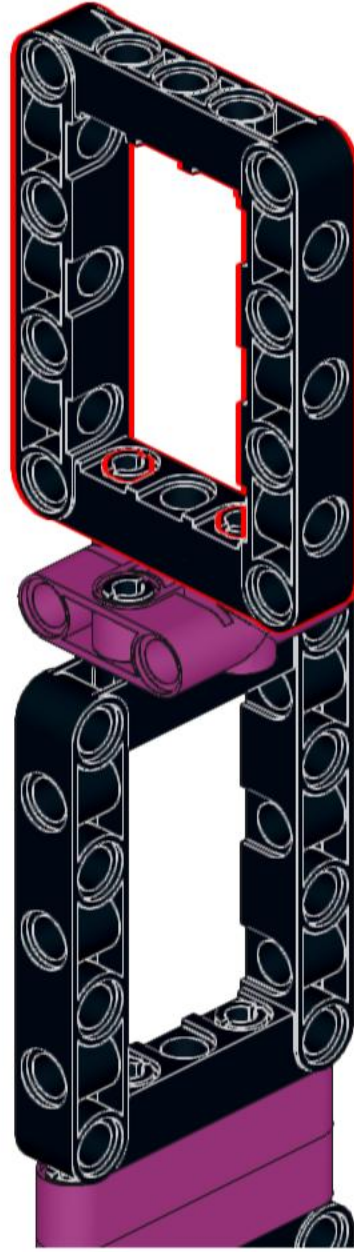
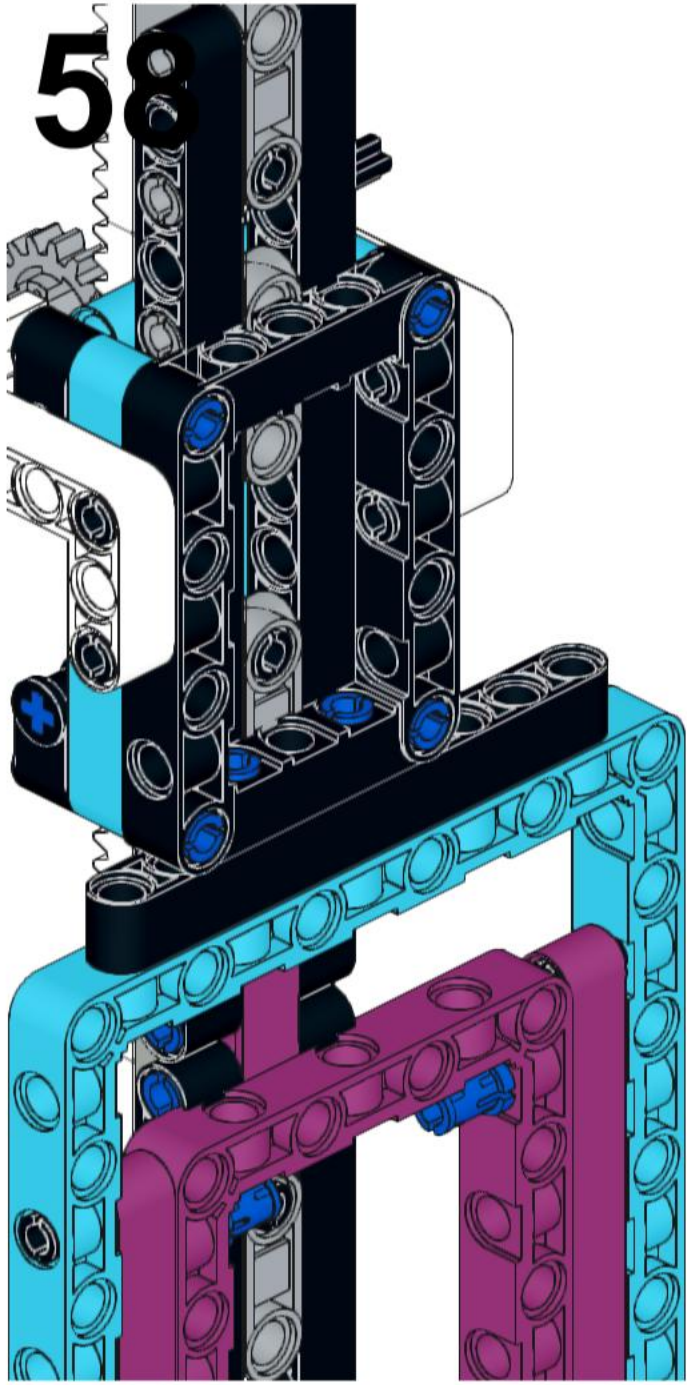




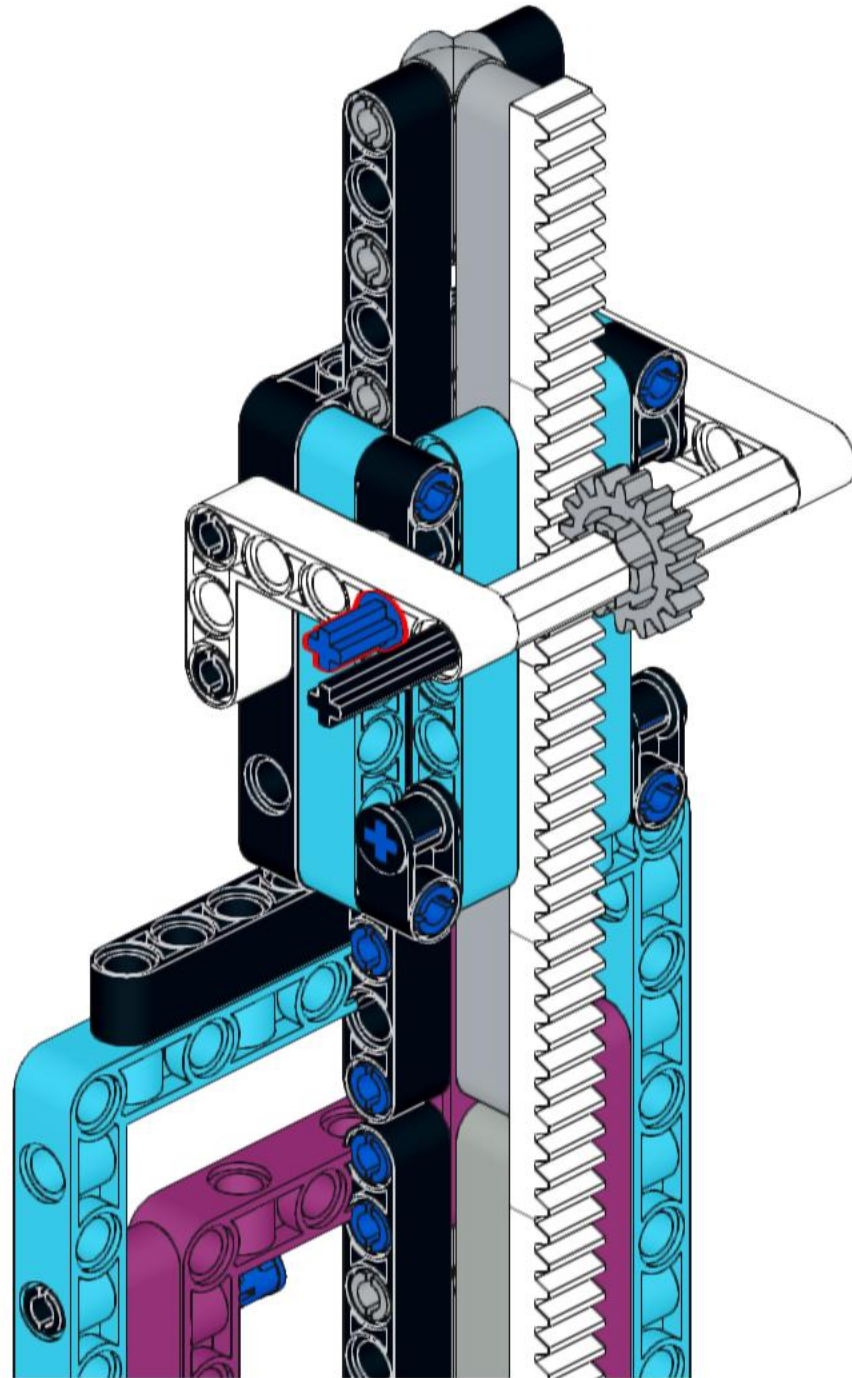
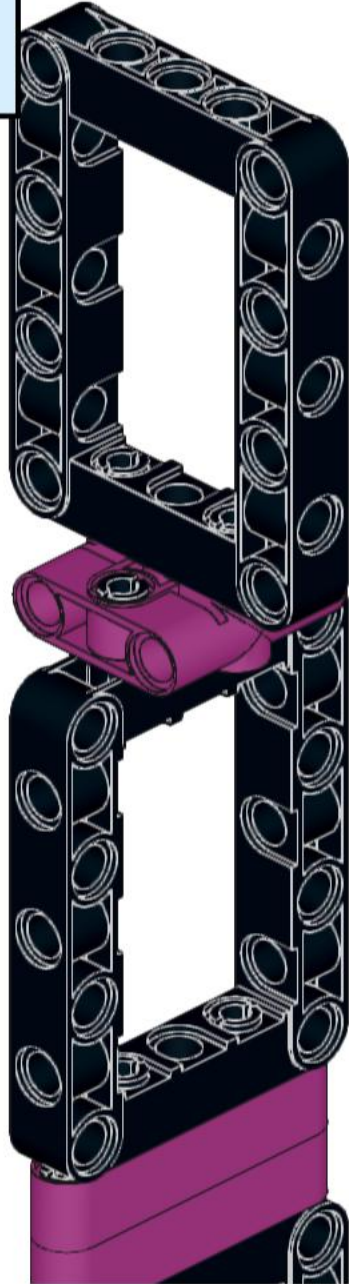
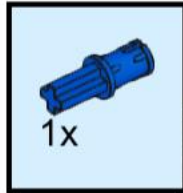




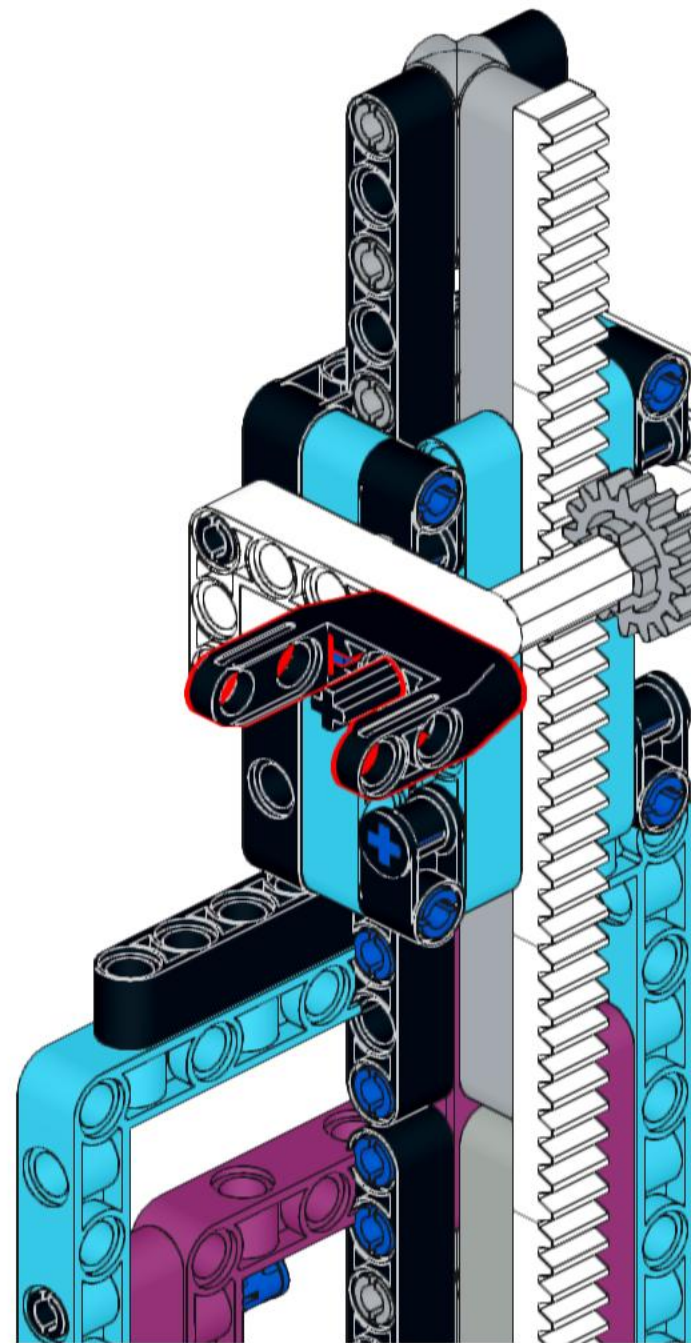
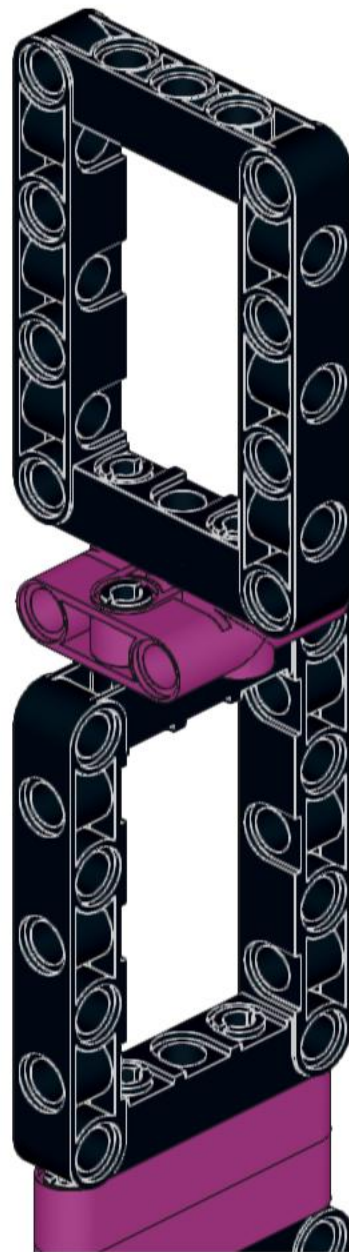
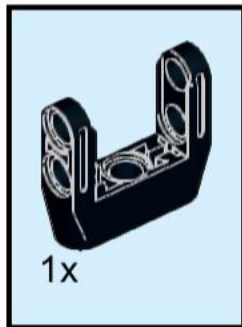




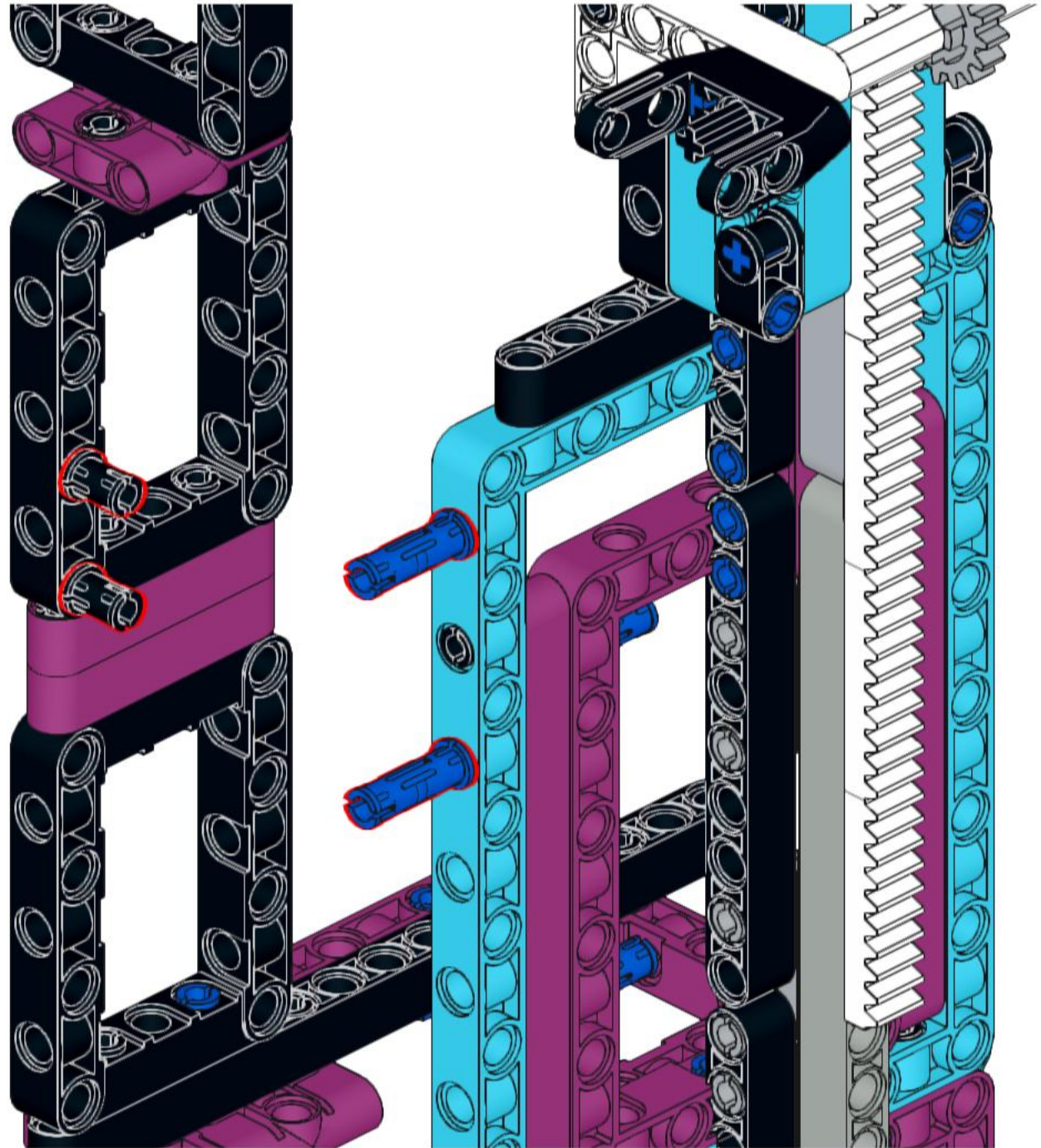
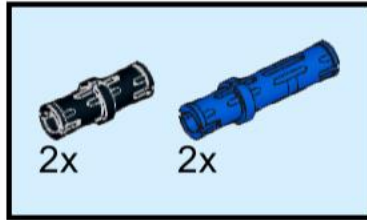
59



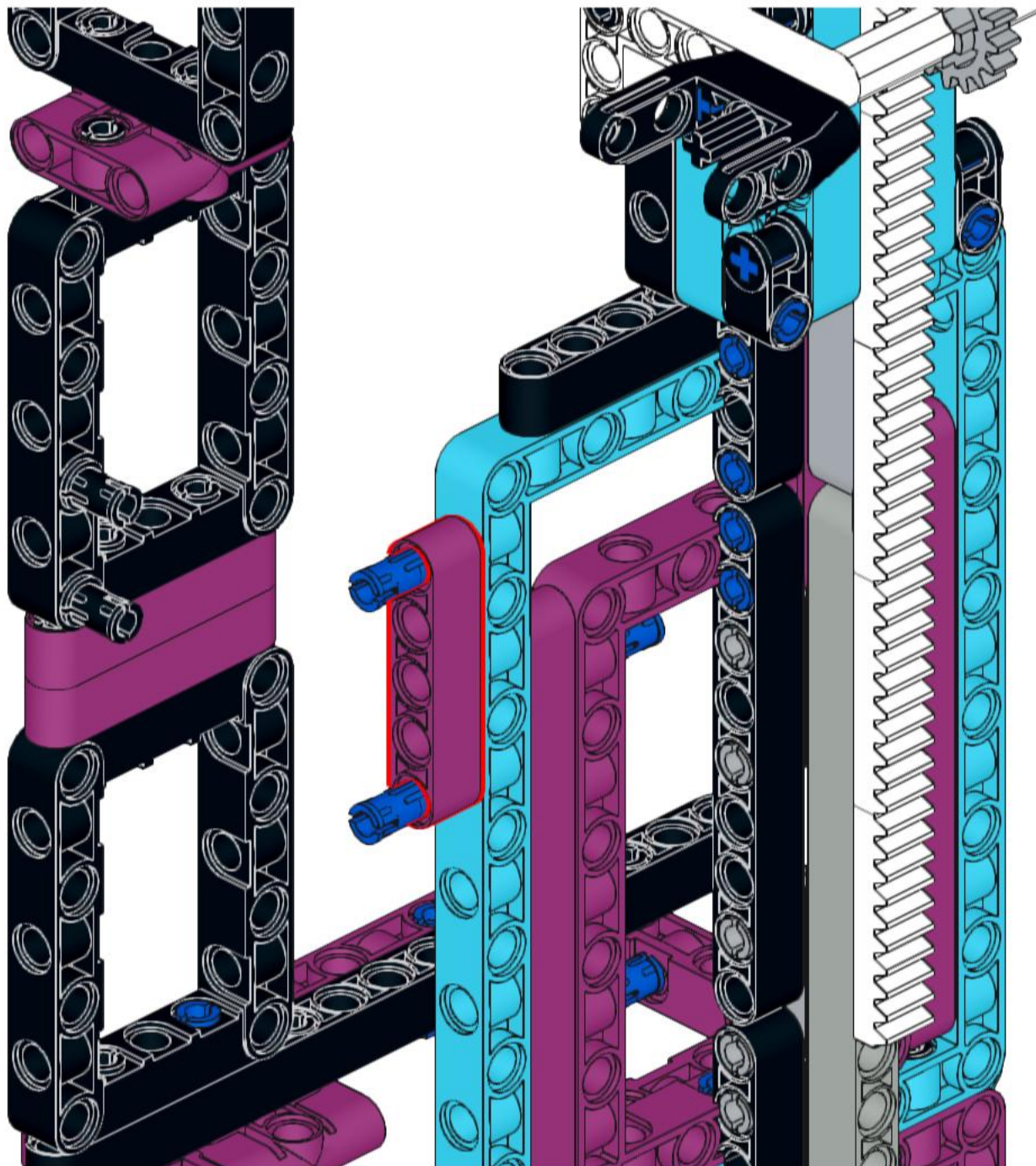
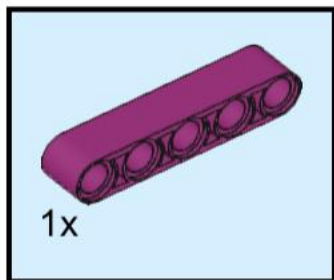
60



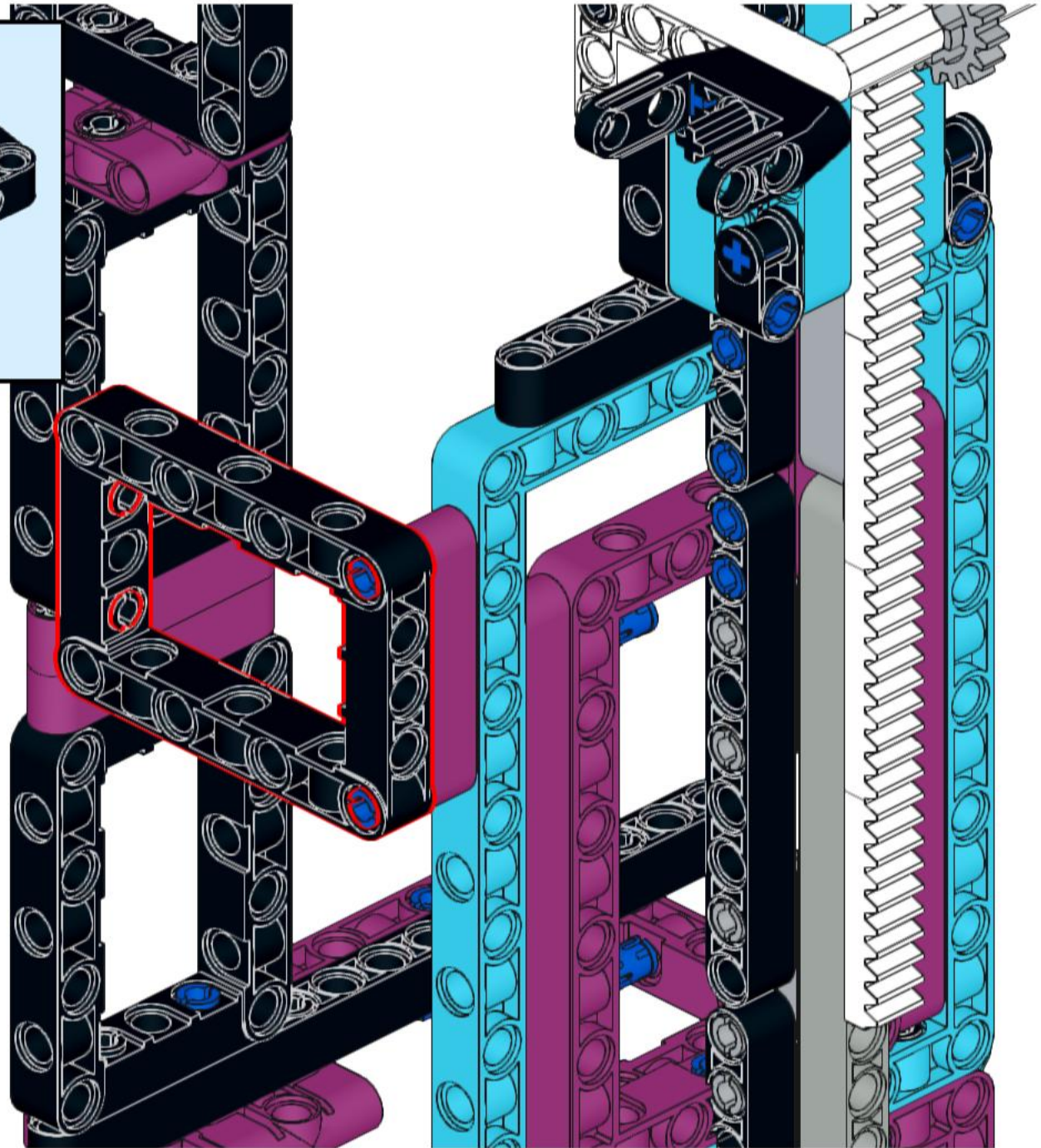
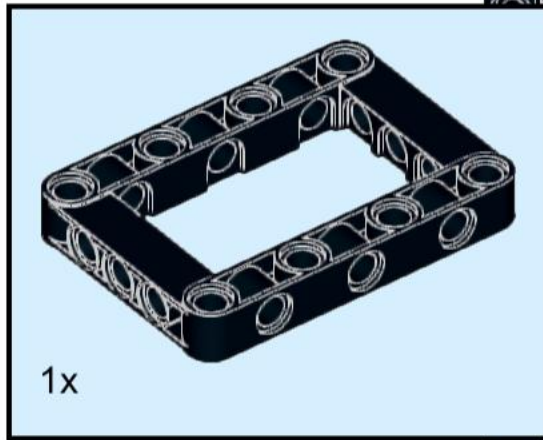
61



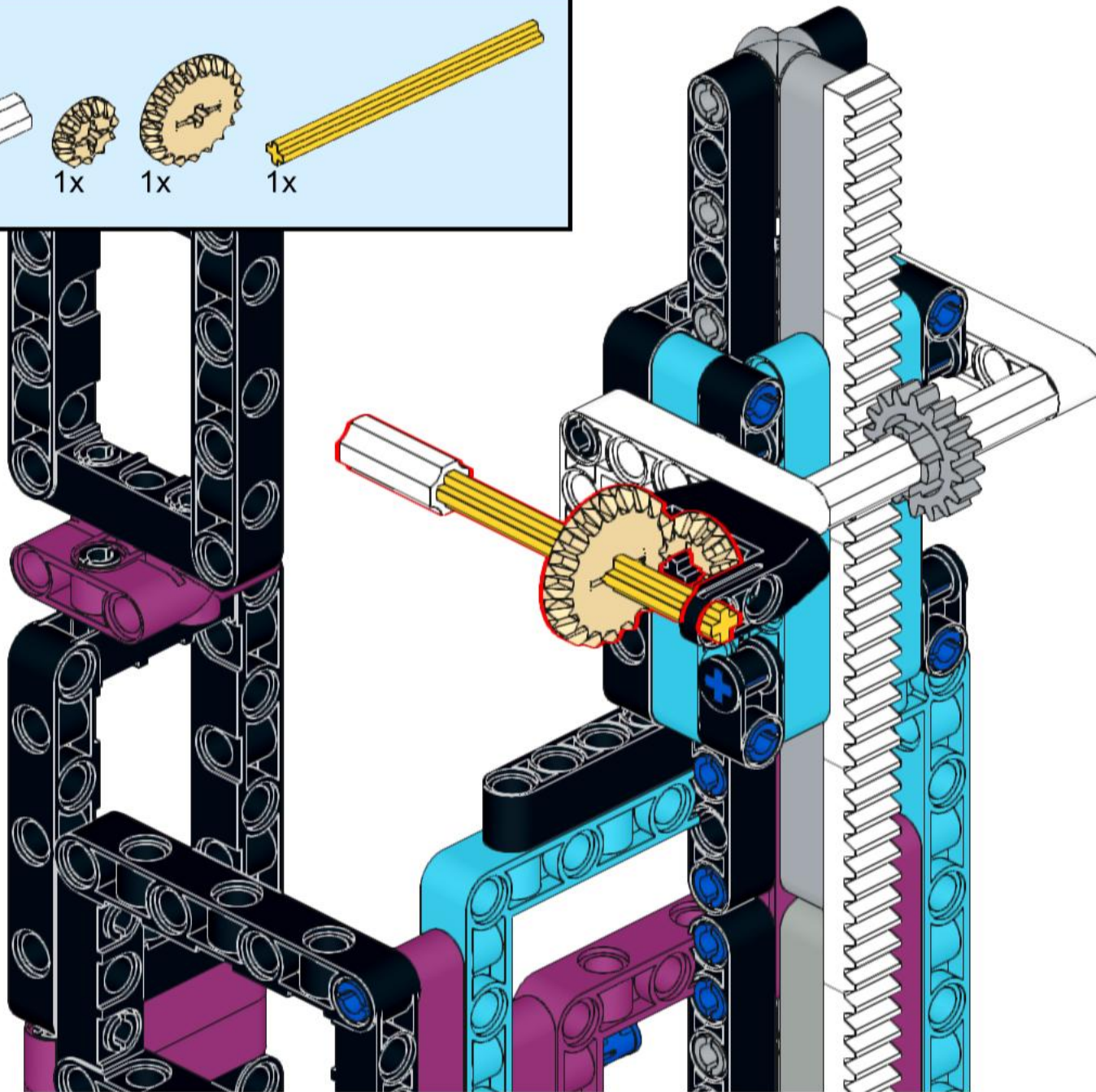
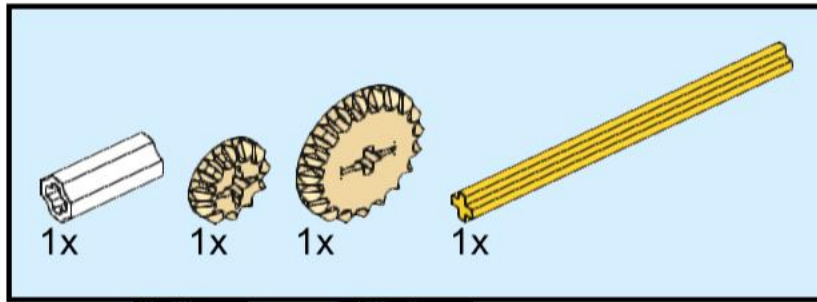
62



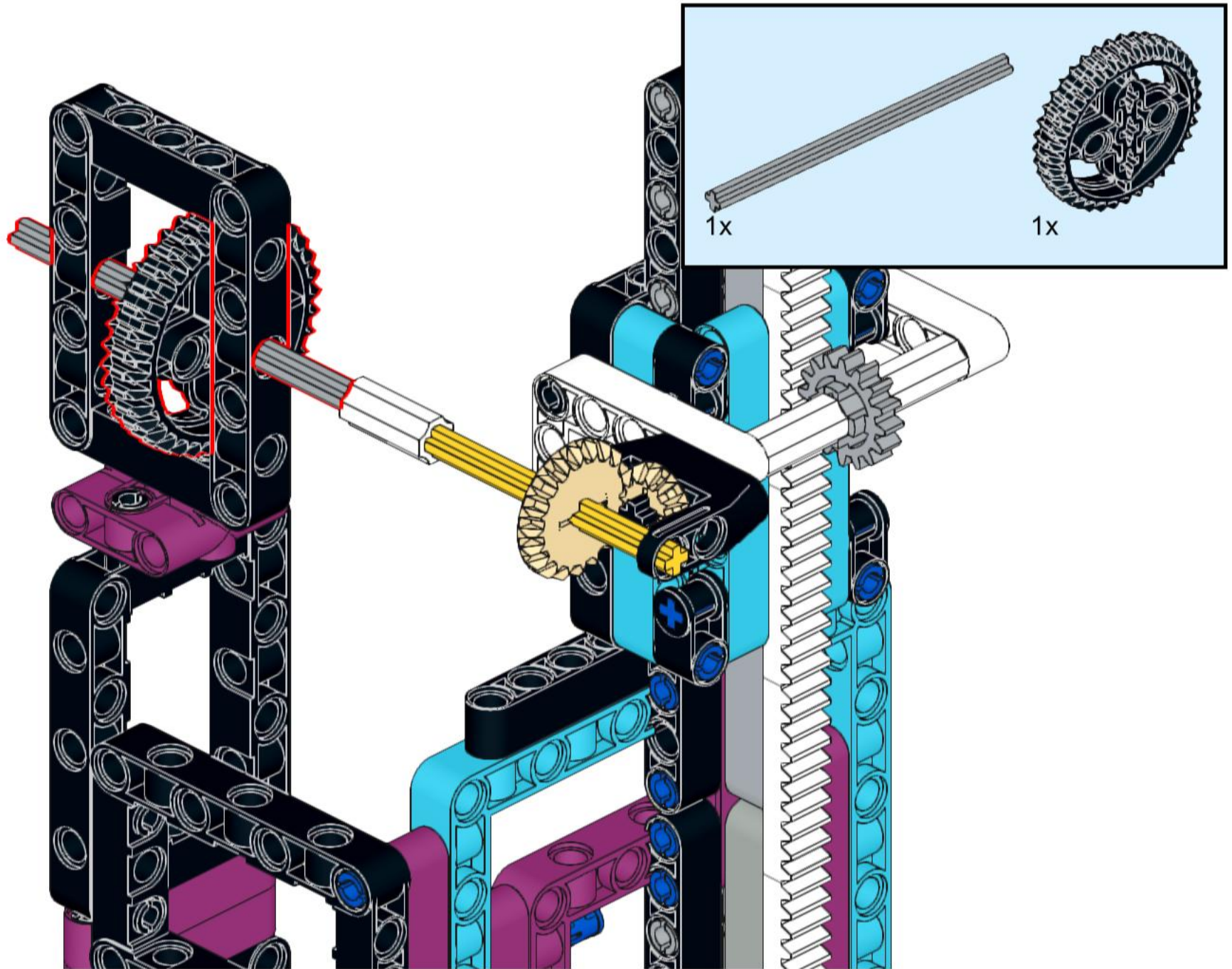
63

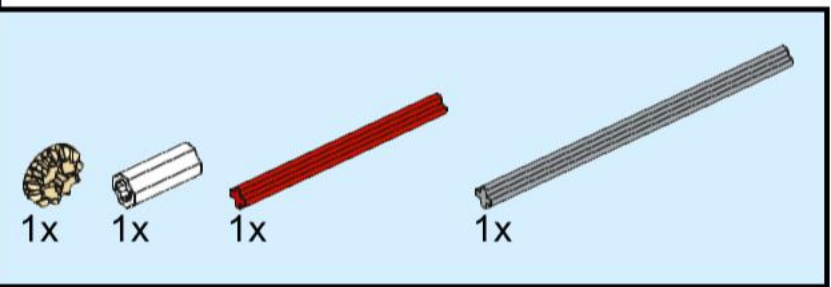
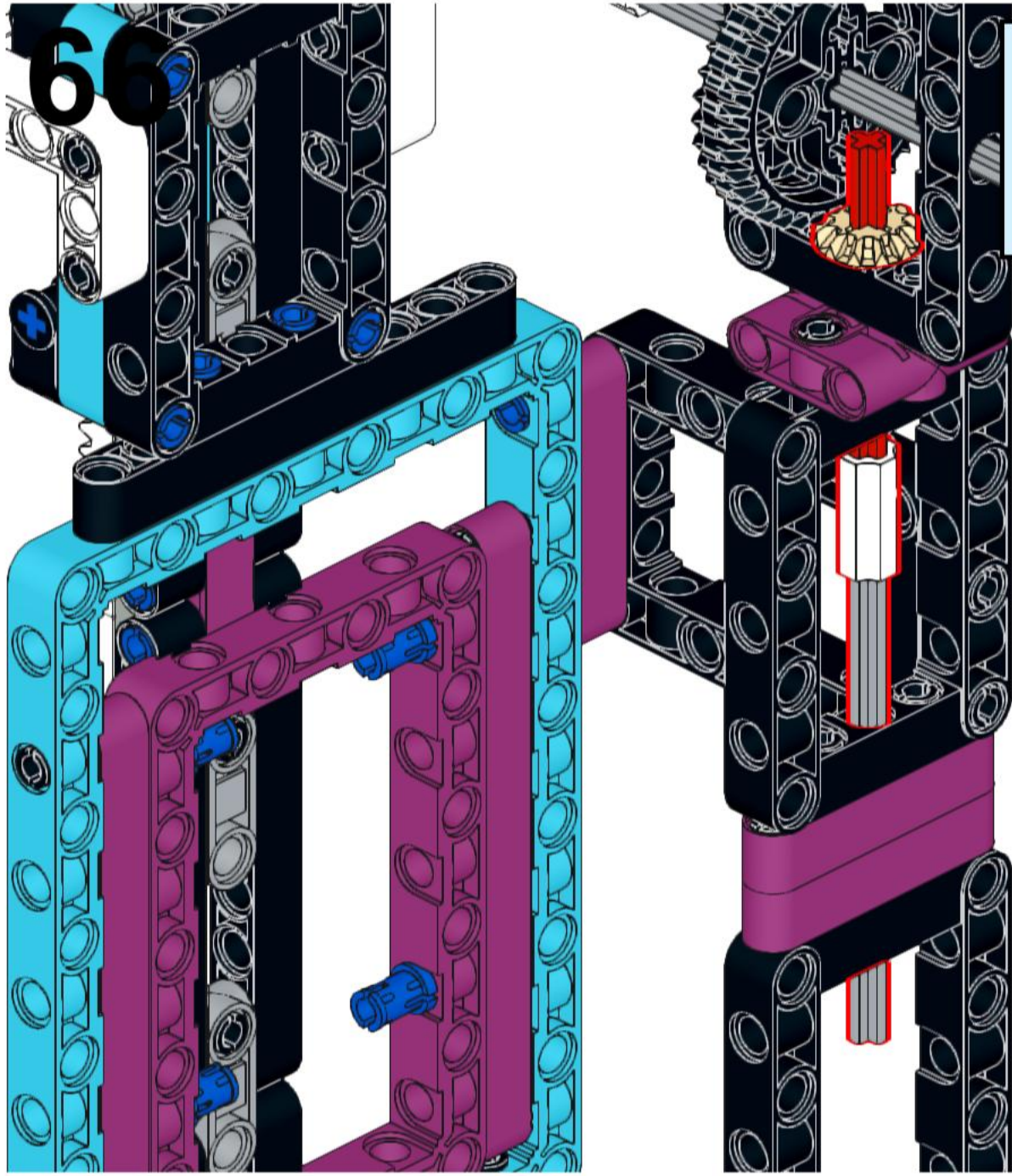


64

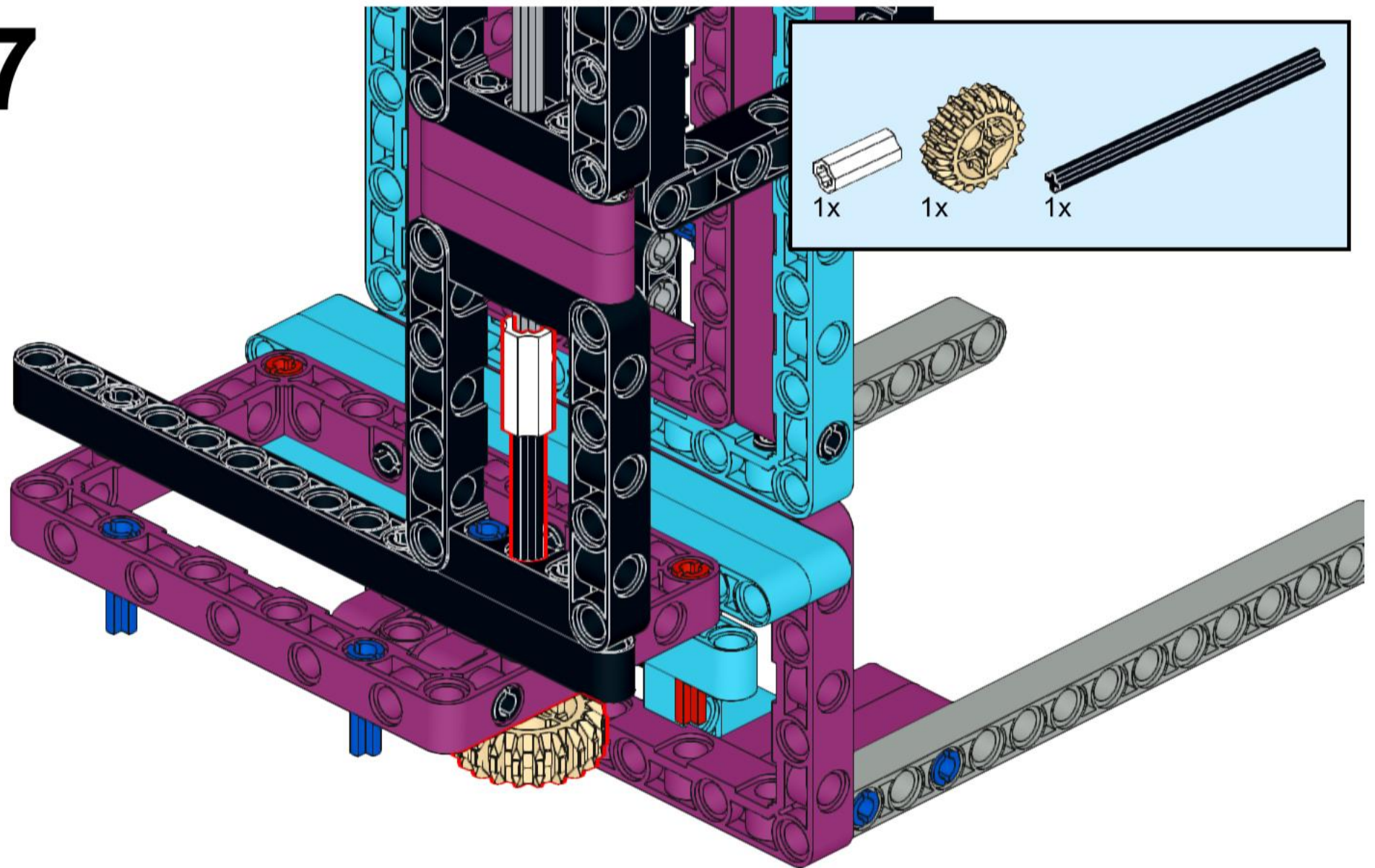


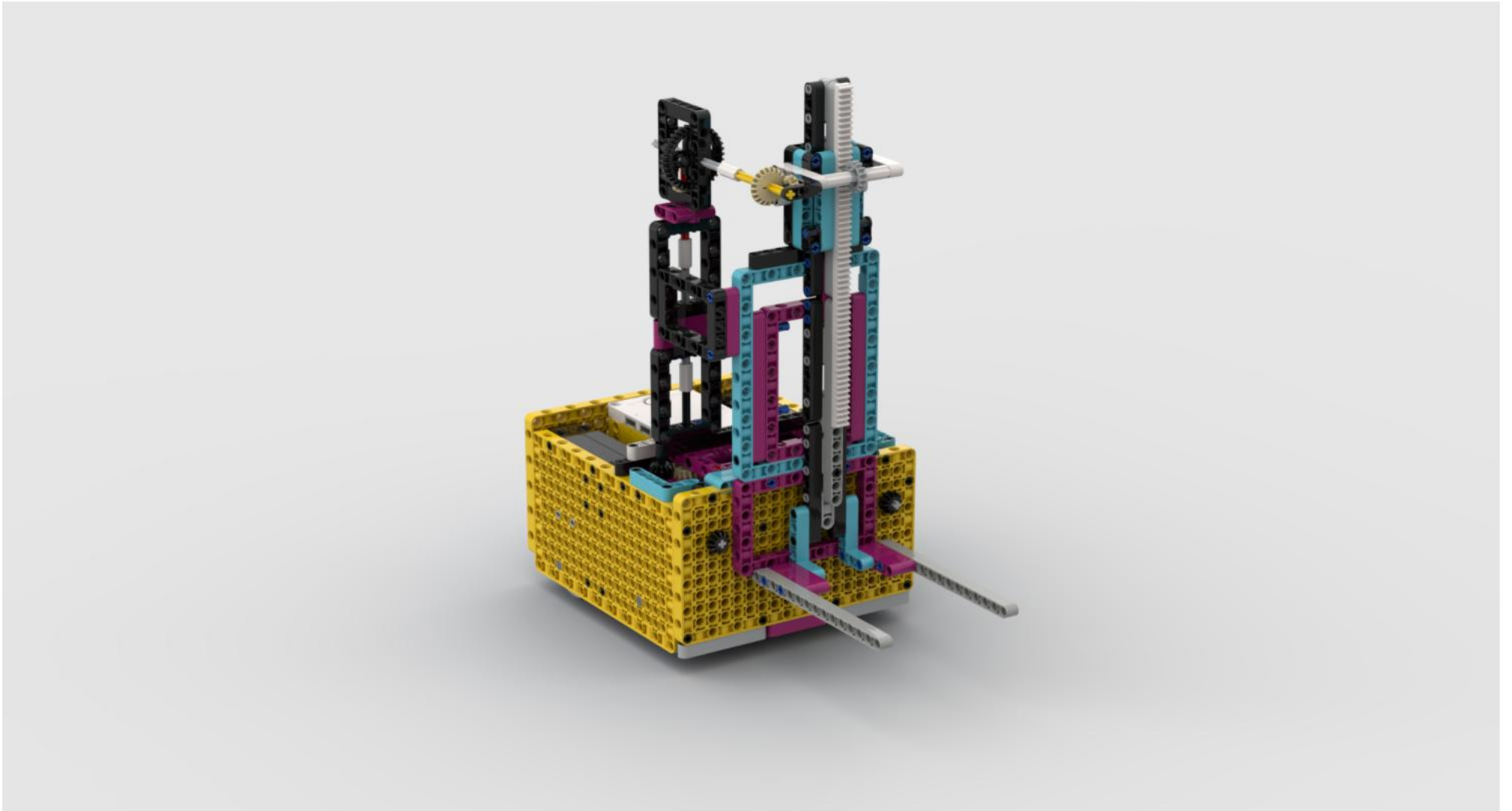
65





67





Visit <https://nextlevelteacher.com/competiton/> for the robot building instructions.



39x
2780
Black



4x
6536
Black



1x
3705
Black



1x
87408
Black



1x
32498
Black



1x
3707
Black



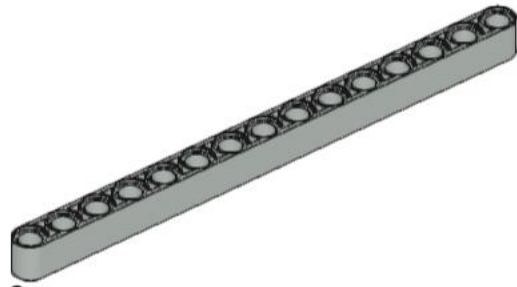
5x
64179
Black



5x
40490
Black



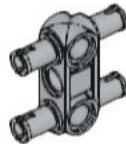
3x
32278
Black



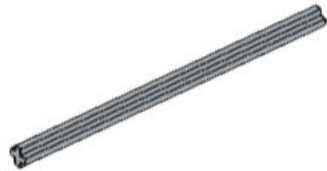
3x
32278
Light Gray



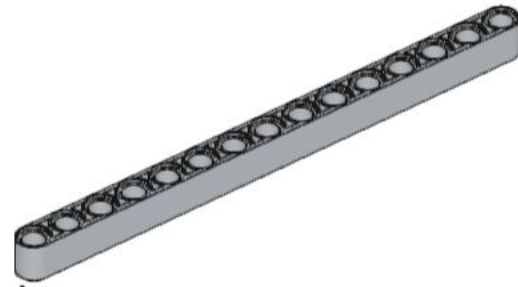
1x
94925
Light Bluish Gray



7x
48989
Light Bluish Gray



2x
60485
Light Bluish Gray



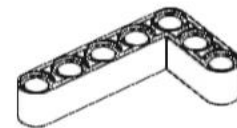
1x
32278
Light Bluish Gray



5x
6538c
White



6x
3743
White



2x
32526
White



2x
11214
Red



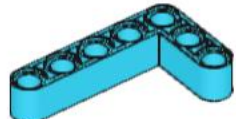
1x
3706
Red



1x
44294
Yellow



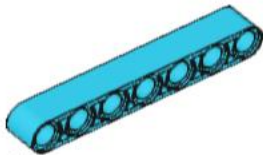
1x
3749
Tan



2x
32526
Medium Azure



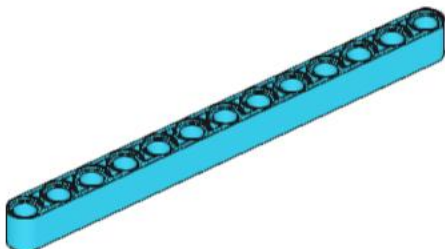
2x
6589
Tan



4x
32524
Medium Azure



1x
32198
Tan



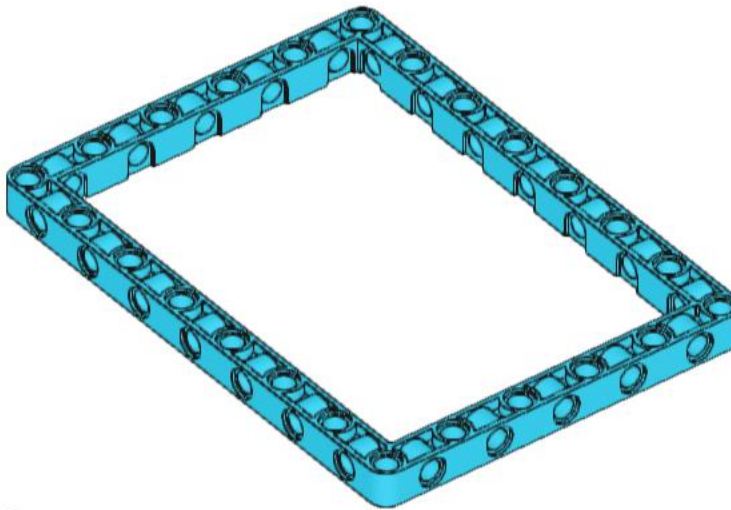
3x
41239
Medium Azure



1x
32269
Tan



1x
4519
Yellow



1x
39790
Medium Azure



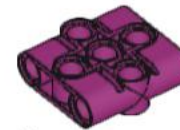
12x
4274
Blue



7x
43093
Blue



28x
6558
Blue



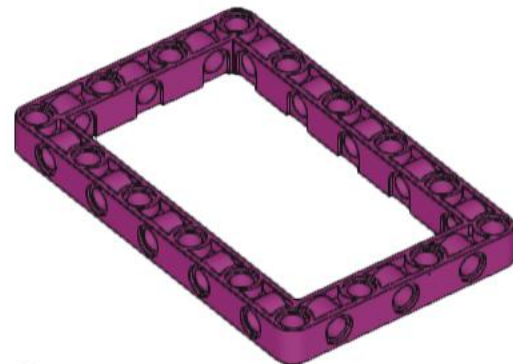
2x
39793
Magenta



8x
32316
Magenta



2x
32525
Magenta



3x
39794
Magenta